



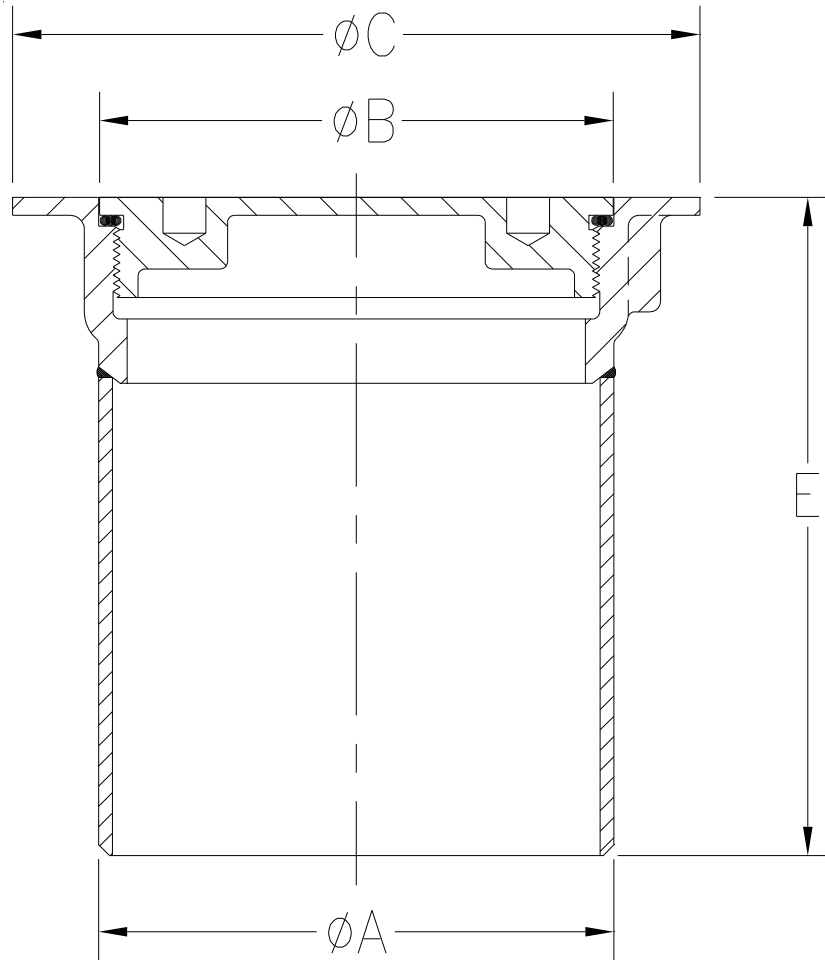
Z1745-86

STAINLESS STEEL FLOOR CLEANOUT WITH O-RING SEAL PLUG

SPECIFICATION SHEET

TAG _____

Dimensional Data (inches and [mm]) are Subject to Manufacturing Tolerances and Change Without Notice



Dimension in Inches			Approx. Wt. Lbs.
A-Pipe Size	B	C	
4 [102]	4 1/2 [114]	6 [152]	6 [3]
6 [152]	7 7/8 [200]	9 3/8 [200]	10 [5]

ENGINEERING SPECIFICATION: ZURN Z1745-86

All Type 316 stainless steel cleanout body and plug with O-ring seal. Plug is scoriated with satin finish. Spanner wrench provided for each plug size.

OPTIONS (Check/specify appropriate options)

PIPE SIZE

4, 6 [102, 152]

(Specify size/type) **OUTLET**

____ BW Butt-weld

'E' BODY HT. DIM.

5 3/4 [140]

PREFIXES

____ ZM Type 316 (CF8M) Stainless Steel Body*

SUFFIXES

____ -SW Bronze Spanner Wrench

REV.	DATE: 04/17/09	C.N. NO. 99912
DWG. NO. P-15696	PRODUCT NO. Z1745-86	

*REGULARLY FURNISHED UNLESS OTHERWISE SPECIFIED