



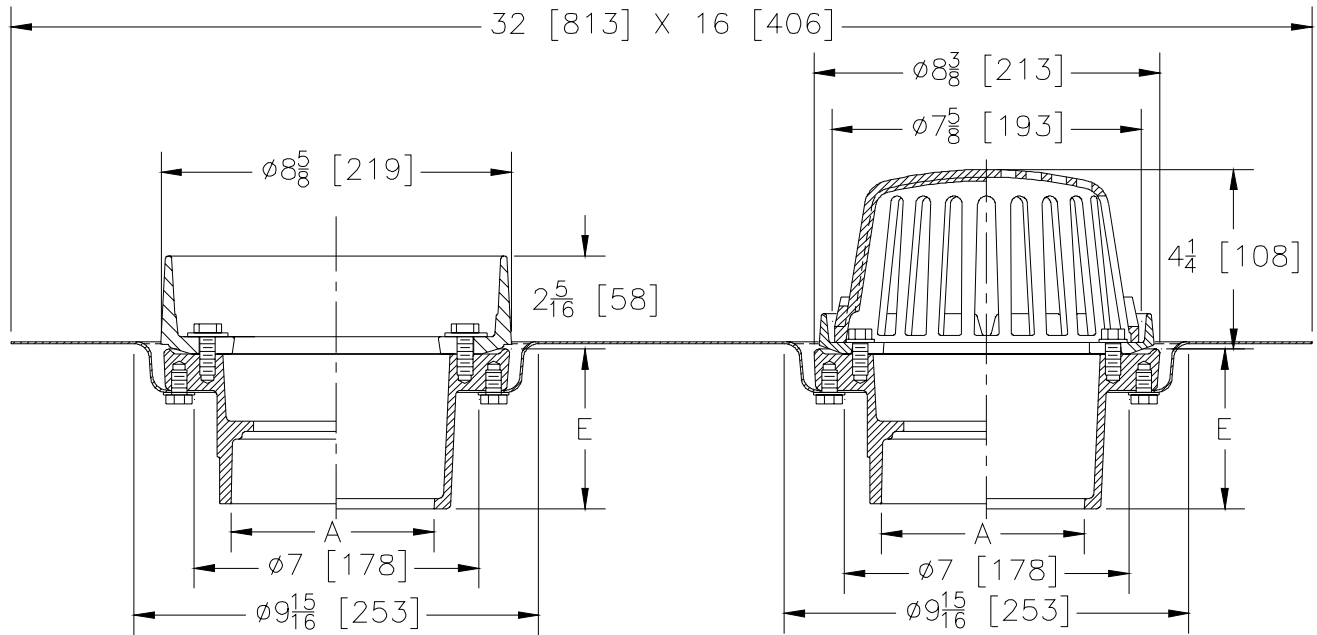
# Z165-75

## 8-3/8" [213] DIAMETER COMBINATION MAIN ROOF AND OVERFLOW DRAIN WITH LOW SILHOUETTE DOME AND DOUBLE TOP SET® DECK PLATE

SPECIFICATION SHEET

TAG \_\_\_\_\_

Dimensional Data (inches and [ mm ]) are Subject to Manufacturing Tolerances and Change Without Notice



A- Pipe Size In.	Approx. Wt. Lbs. [kg]	Dome Open Area Sq. In. [cm <sup>2</sup> ]
2-3-4 [50-75-100]	22 [10]	43 [277]

**ENGINEERING SPECIFICATION:** ZURN Z165-75 8-3/8" [213] Diameter combination roof drain and overflow drain, Dura-Coated cast iron bodies with combination membrane flashing clamp/gravel guards, 2-5/16 high external water dam, double top-set® deck plate, and low silhouette cast iron dome.

**OPTIONS** (Check/specify appropriate options)

**PIPE SIZE**

(Specify size/type) **OUTLET**

**E' BODY HT. DIM.**

2, 3, 4 [50, 75, 100]	_____ IC Inside Caulk	3 7/8 [98]
2, 3, 4 [50, 75, 100]	_____ IP Threaded	2 5/8 [67]
2, 3, 4 [50, 75, 100]	_____ NH No-Hub	3 7/8 [98]
2, 3, 4 [50, 75, 100]	_____ NL Neo-Loc	4 5/8 [117]

**PREFIXES**

- \_\_\_\_\_ Z D.C.C.I. Body with Dome\*
- \_\_\_\_\_ ZA D.C.C.I. Body with Aluminum Dome
- \_\_\_\_\_ ZRB D.C.C.I. Body with Plain Bronze Dome

**SUFFIXES**

- \_\_\_\_\_ -AR Acid Resistant Epoxy Coated Finish
- \_\_\_\_\_ -BS Bronze Mesh Screen Over Dome
- \_\_\_\_\_ -E Static Extension 1 [25] thru 4 [102] (Specify Ht.)
- \_\_\_\_\_ -ES Static Extension with Secondary Clamp Collar at Body (For clamping at roof drain body.)
- \_\_\_\_\_ -G Galvanized Cast Iron
- \_\_\_\_\_ -SC Secondary Clamping Collar
- \_\_\_\_\_ -SS Stainless Steel Mesh Screen Over Dome
- \_\_\_\_\_ -VP Vandal Proof Secured Top
- \_\_\_\_\_ -XJ Vertical Expansion Joint (See Z190)
- \_\_\_\_\_ -84 Stainless Steel Perforated Gravel Guard
- \_\_\_\_\_ -85 Stainless Steel Perforated Extension
- \_\_\_\_\_ -90 90° Threaded Side Outlet Body

REV. DATE: 3/21/03 C.N. NO. 90322

DWG. NO. P-14975 PRODUCT NO. Z165-75

\*REGULARLY FURNISHED UNLESS OTHERWISE SPECIFIED

ZURN INDUSTRIES, INC. ♦ SPECIFICATION DRAINAGE OPERATION ♦ 1801 Pittsburgh Ave. ♦ Erie, PA 16514

Phone: 814455-0921 ♦ Fax: 814454-7929 ♦ World Wide Web: www.zurn.com

In Canada: ZURN INDUSTRIES LIMITED ♦ 3544 Nashua Drive ♦ Mississauga, Ontario L4V1L2 ♦ Phone: 905405-8272 Fax: 905405-1292