



ZN1202-ND4-F

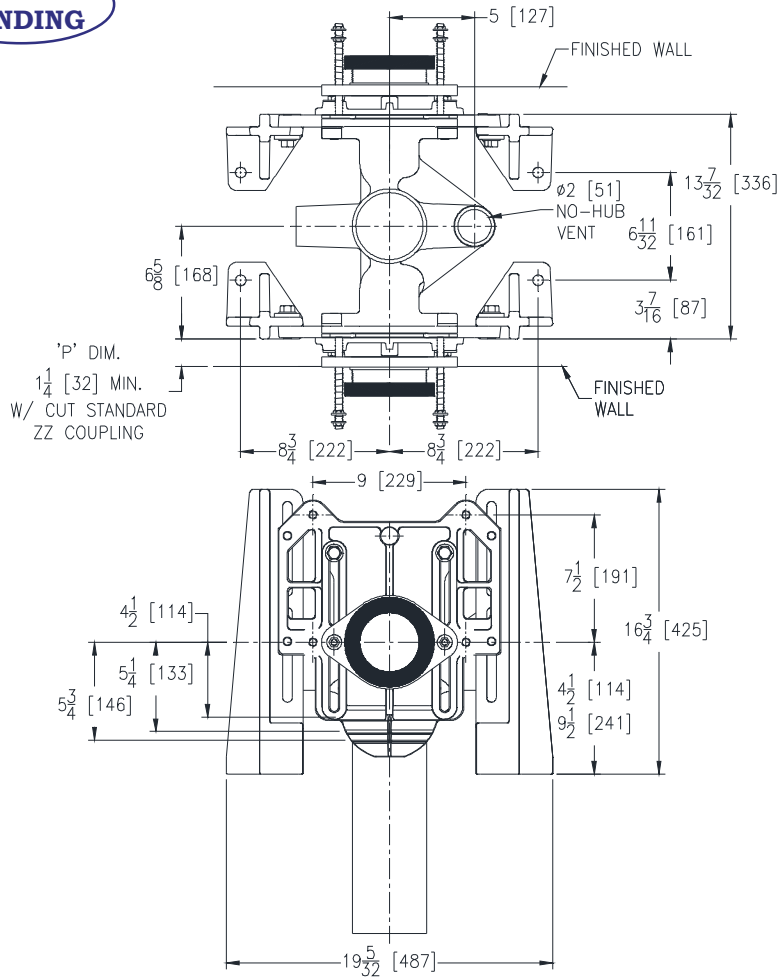
NARROW WALL BACK-TO-BACK WITH 13-7/32 [336] FRONT TO BACK
EZCARRY® ADJUSTABLE VERTICAL HIGH PERFORMANCE SIPHON
JET NO-HUB WATER CLOSET CARRIER SYSTEM FOR FLOOR
MOUNTED BACK OUTLET FIXTURE

SPECIFICATION SHEET

TAG _____

**PATENT
PENDING**

Dimensional Data (inches and [mm]) are Subject to Manufacturing Tolerances and Change Without Notice



ZN1202-ND4-F Illustrated

Product Number	Approx. Wt. Lbs [kg]
ZN1202-ND4-F	158 [72]

Note:

1. Cut ZZ Coupling, Min. 'P' Dim. Obtainable = 1-1/4 [32]
2. Carrier floor anchors must each be able to withstand a pull-out force of 1741 lbs [790 kg].
3. Pull-out forces are calculated values with standard coupling assembly. No safety factor has been applied. See Form #C38 for more information.
4. 2 [51] No-Hub vent connection regularly furnished on right hand side. Left hand available when specified (Suffix -VL)
5. Auxiliary inlet available right (-JR) or left (-JL) or both sides (-JJ) when specified.

ENGINEERING SPECIFICATION: ZURN ZN1202-ND4-F

EZCarry® Narrow Wall vertical siphon jet water closet carrier system, with high performance Dura-Coated cast iron main fitting with hydro-mechanically optimized sweep, 4" [102 mm] no-hub connections, and extended 2" [51 mm] vent. Corrosion resistant, adjustable 3" [76 mm] diameter x 6" [152 mm] couplings with integral test caps, designed to increase flow velocity and line carry, and labor saving "Neo-Seal" bonded gaskets optimize flow performance while reducing installation steps. Complete system includes adjustable, gasketed faceplates; floor mounted foot supports; and floor mounted back outlet fixture support.

OPTIONS (Check/specify appropriate options)

___ ZN1202-ND4-F 4 [102] No-Hub Stack, Back-to-Back Inlet (Double), 2 [51] Right Hand Vent

PREFIXES

___ Z D.C.C.I. System with Zurn ZZ Adjustable Coupling*

SUFFIXES

- | | | | |
|---------|--|---------|--|
| ___ -CC | Corrosion Resistant Cast Iron Coupling (2-1/4 to 12 [57 to 305]) | ___ -JL | 2 [51] Left-Hand Auxiliary Inlet |
| ___ -CS | 2-1/4 [57] Polymer Coupling with Integral Test Cap | ___ -JR | 2 [51] Right-Hand Auxiliary Inlet |
| ___ -G | Galvanized Cast Iron | ___ -VL | Left Hand Vent Connection |
| ___ -JJ | Two 2 [51] Auxiliary Inlets | ___ -VP | Vandal-Proof Trim |
| | | ___ -50 | Flush Valve Supply Support for Water Closets |

* Regularly furnished unless otherwise specified.

Zurn Industries, LLC | Specification Drainage Operation
1801 Pittsburgh Avenue, Erie, PA U.S.A. 16502 · Ph. 855-663-9876, Fax 814-454-7929
In Canada | Zurn Industries Limited
3544 Nashua Drive, Mississauga, Ontario L4V 1L2 · Ph. 905-405-8272, Fax 905-405-1292
www.zurn.com

Rev. -
Date: 12/18/17
C.N. No. 139339
Prod. | Dwg. No. ZN1202-ND4-F