



Z888-6-PVSS-BG

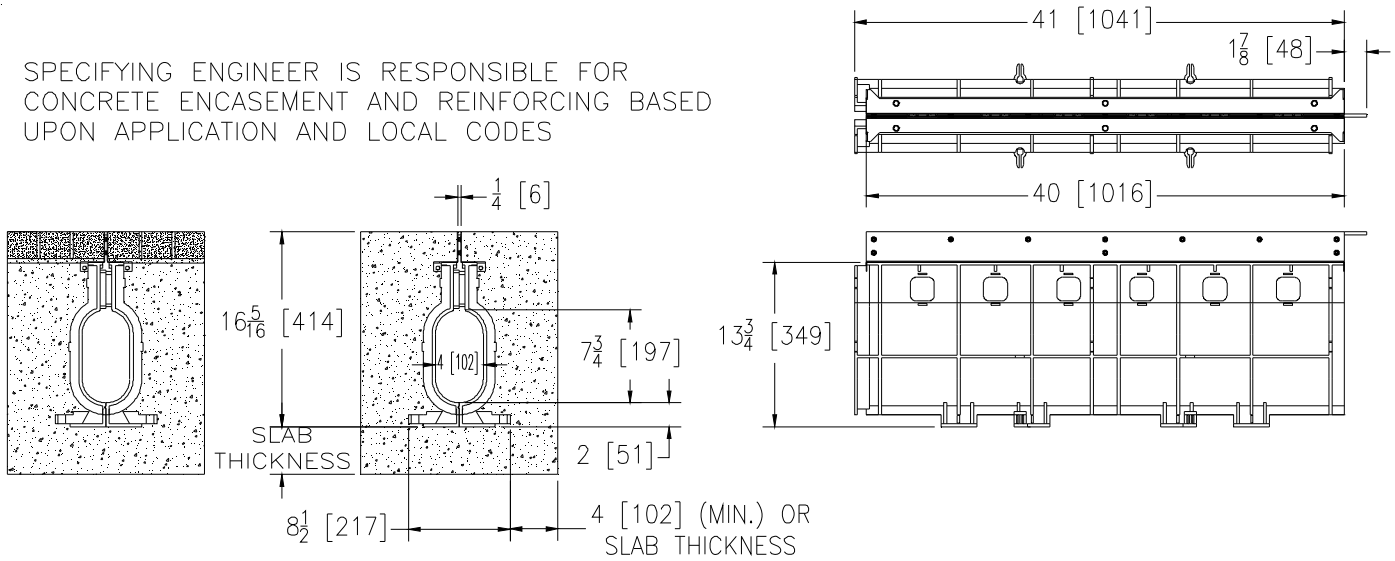
SPECIFICATION SHEET

0.35 [8.9] WIDE REVEAL SLOTTED DRAINAGE SYSTEM

TAG _____

Dimensional Data (inches and [mm]) are Subject to Manufacturing Tolerances and Change Without Notice

SPECIFYING ENGINEER IS RESPONSIBLE FOR CONCRETE ENCASEMENT AND REINFORCING BASED UPON APPLICATION AND LOCAL CODES



NOTE: +ACTUAL CHANNEL LENGTH IS 41 [1041] TO ALLOW FOR OVERLAP.

ENGINEERING SPECIFICATION: Zurn Z888-6-PVSS-BG Channels shall be 40 [1016] long, 0.25[6.35] wide slot and have a 4 [102] throat. Modular channel sections shall be made of 0% water absorbent High Density Polyethylene (HDPE), and is UV-10 stabilized. Shall have a positive mechanical connection between channel sections that will not separate during the installation and shall mechanically lock into the concrete surround a minimum of every 6 [152]. Channels shall weigh less than 17.3 lbs.[7.85 kg] per linear foot, have a smooth, 2 [51] radiused self cleaning neutral bottom with 0% built in slope. Channels shall have rebar clips molded onto bedding feet and/or bedding feet shall be used for positioning as standard to secure trench in its final location. Trench shall be provided with standard PVSS-BG non-removable grate. Zurn 0.25 [6.35] wide reveal and 2.50 [63.5] tall fabricated Stainless Steel Paver Slot grate. Is rated for pedestrian traffic. Supplied in 40 [1016] nominal lengths with removable zip strip for alignment and has an open area of 3 sq. in per ft. [1935.5 sq. mm per meter].

PREFIX OPTIONS (Check/specify appropriate options)

___Z Three Foot Four Inch High Density Polyethylene (HDPE)*

SUFFIX OPTIONS (Check/specify appropriate options)

Outlet Adapters Add/Each

- ___-E1 Closed End Cap
- ___-E2 2 [51] No-Hub End Outlet
- ___-E3 3 [76] No-Hub End Outlet
- ___-E4 4 [102] No-Hub End Outlet
- ___-U2 2 [51] No-Hub Bottom Outlet
- ___-U3 3 [76] No-Hub Bottom Outlet
- ___-U4 4 [102] No-Hub Bottom Outlet

*REGULARLY FURNISHED UNLESS OTHERWISE SPECIFIED

REV.	DATE: 10/11/10	C.N. NO. 111824
DWG. NO. 302782	PRODUCTNO. Z888-6-PVSS-BG	