



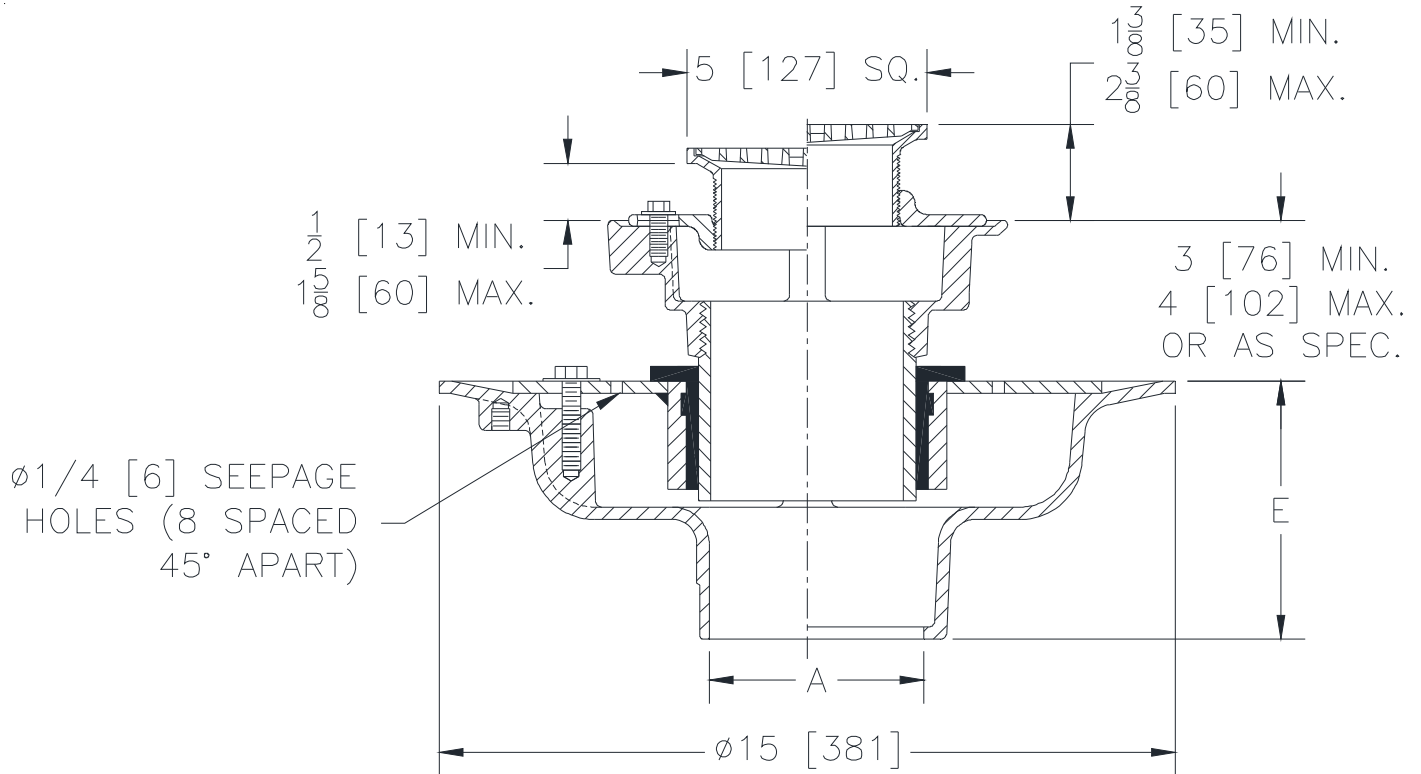
# Z625-112

## ISOLATION DECK ADJUSTABLE DRAIN W/ UPPER Z415S AND 5 [127] SQUARE STRAINER

SPECIFICATION SHEET

TAG \_\_\_\_\_

Dimensional Data (inches and [ mm ]) are Subject to Manufacturing Tolerances and Change Without Notice



A Pipe Size In. [mm]	Approx. Wt. Lbs. [kg]	Grate Open Area Sq. In. [cm <sup>2</sup> ]
2, 3, 4 [51, 76, 102]	42 [19]	9 [58]

**ENGINEERING SPECIFICATION: ZURNZN625-112**  
Adjustable isolation deck drain, Dura-Coated cast iron upper and lower bodies, upper and lower clamp collars, neoprene flex gasket, isolation nipple and adjustable 5" [127mm] square "TYPE S" polished nickel bronze strainer.

**OPTIONS** (Check/specify appropriate options)

**PIPE SIZE**

- 2, 3, 4 [51, 76, 102]
- 2, 3, 4 [51, 76, 102]
- 2, 3, 4 [51, 76, 102]
- 2, 3, 4 [51, 76, 102]
- 2, 3, 4 [51, 76, 102]

(Specify size/type) **OUTLET**

- \_\_\_ IC Inside Caulk
- \_\_\_ IG Inside Caulk w/Sealtrol Gskt.
- \_\_\_ IP Threaded
- \_\_\_ NH No-Hub
- \_\_\_ NL Neo-Loc

**'E' BODY HT. DIM.**

- 5-1/4 [133]
- 5-1/4 [133]
- 3-3/4 [95]
- 5-1/4 [133]
- 4-5/8 [117]

**PREFIXES**

- \_\_\_ ZB D.C.C.I Body w/Polished Bronze Top
- \_\_\_ ZN D.C.C.I Body w/Polished Nickel Bronze Top\*

**SUFFIXES**

- \_\_\_ -C Underdeck Clamp (Lower Body)
- \_\_\_ -G Galvanized Cast Iron
- \_\_\_ -R Sump Receiver (Lower Body)
- \_\_\_ -U 3 [76] High Extension Adapter (Upper Body)
- \_\_\_ -VP Vandal-Proof Secured Top
- \_\_\_ -Y Sediment Bucket (Upper Body)

\* Regularly furnished unless otherwise specified.