



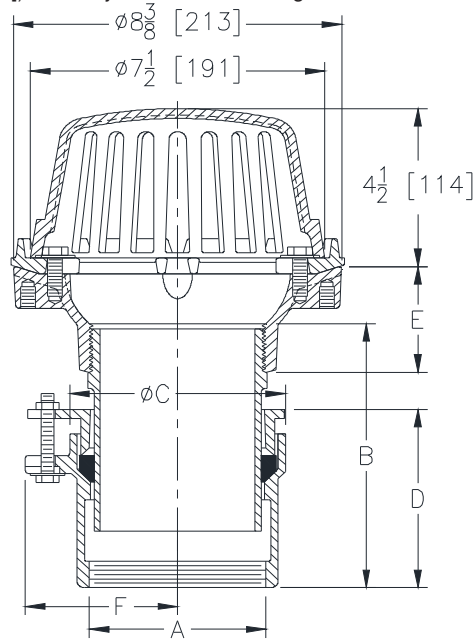
Z125-XJ

8-3/8 [213] DIAMETER ROOF DRAIN WITH
VERTICAL EXPANSION JOINT

SPECIFICATION SHEET

TAG _____

Dimensional Data (inches and [mm]) are Subject to Manufacturing Tolerances and Change Without Notice



Dimensions in Inches [mm]						Approx. Wt. Lbs.[kg]	Dome Open Area Sq. In. [cm ²]
A- Pipe Size	B		C	D	F		
	Min.	Max.					
2 [51]	6-1/2 [165]	8-1/2 [216]	3-5/8 [92]	5 [127]	2-3/4 [70]	22 [10]	43 [277]
3 [76]	6-1/2 [165]	8-1/2 [216]	4-5/8 [117]	5 [127]	3-1/4 [82]	25 [11]	
4 [102]	6-1/2 [165]	8-1/2 [216]	5-1/2 [140]	4-3/4 [121]	3-3/4 [95]	27 [12]	

ENGINEERING SPECIFICATION: ZURNZ125-XJ

8-3/8" [213mm] Diameter roof drain, Dura-Coated cast iron body with combination membrane flashing clamp/gravel guard, vertical expansion joint and low silhouette Poly-Dome.

OPTIONS (Check/specify appropriate options)

PIPE SIZE	(Specify size/type) OUTLET	'E' BODY HT. DIM.
2 [51]	___ IP Threaded	2-7/16 [62]
3 [76]	___ IP Threaded	2-3/4 [70]
4 [102]	___ IP Threaded	3 [76]

PREFIXES

- ___ Z D.C.C.I. Body with Poly-Dome (4-1/4 [108] Dome Height)*
- ___ ZA D.C.C.I. Body with Aluminum Dome (4-1/4 [108] Dome Height)
- ___ ZC D.C.C.I. Body with Low Silhouette Cast Iron Dome (4-1/4 [108] Dome Height)

SUFFIXES

- | | |
|---|---|
| ___ -AR Acid Resistant Epoxy Coated Finish | ___ -R Roof Sump Receiver |
| ___ -C Underdeck Clamp | ___ -SC Secondary Clamping Collar |
| ___ -DP Top-Set® Roof Deck Plate
(Replaces both the -C and -R) | ___ -SS Stainless Mesh Screen Over Dome |
| ___ -E 2 [51] High Static Extension (Specify Height) | ___ -VP Vandal-Proof Secured Top |
| ___ -EB Top-Set® Adjustable Extension Assembly | ___ -84 Stainless Steel Perforated Gravel Guard |
| ___ -FG Flush Grate | ___ -85 Stainless Steel Perforated Extension |
| ___ -G Galvanized Cast Iron | ___ -89 2 [51] High External Water Dam |

* Regularly furnished unless otherwise specified.