



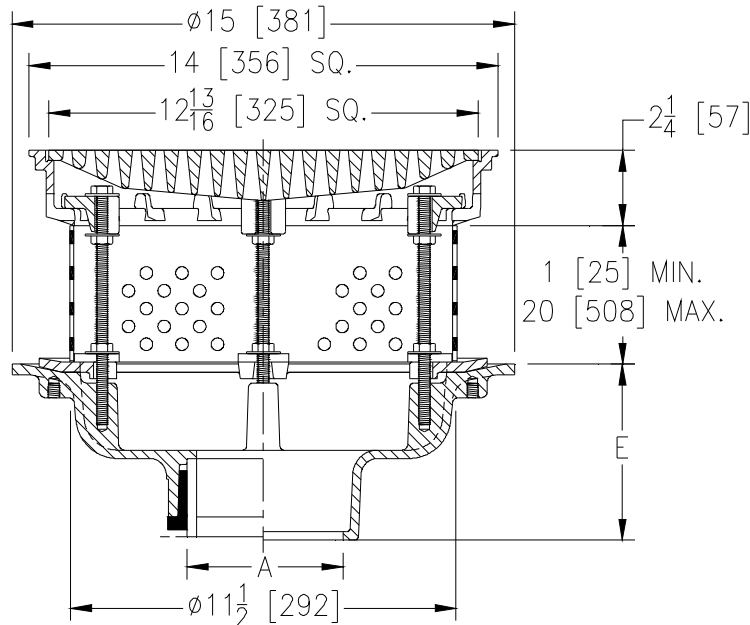
Z150-85

14 [356] SQUARE TOP PROM-DECK DRAIN
W/ STAINLESS STEEL PERFORATED EXTENSION, HEEL
PROOF GRATE, AND ROTATABLE FRAME

SPECIFICATION SHEET

TAG _____

Dimensional Data (inches and [mm]) are Subject to Manufacturing Tolerances and Change Without Notice



A Pipe Size in [mm]	Approx Wt. lbs [kg]	Grate Open Area in ² [cm ²]
2,3,4 [51,76,102]	54 [24]	44 [284]
6 [152]		
8 [203]	56 [25]	

ENGINEERING SPECIFICATION: ZURN Z150-85

14" [356mm] Square Top Prom-Deck drain, Dura-Coated cast iron body with rotatable square promenade frame with seepage openings, frame clamps, perforated extension, secondary clamp collar, and heel-proof grate.

OPTIONS (Check/specify appropriate options)

PIPE SIZE

2,3,4,6 [51,76,102,152]
2,3,4,6, 8 [51,76,102,152,203]
2,3,4,6, 8 [51,76,102,152,203]
2,3,4 [51,76,102]

(Specify size/type) **OUTLET**

_____ IC Inside Caulk
_____ IP Threaded
_____ NH No-Hub
_____ NL Neo-Loc

E BODY HT. DIM.

5-1/4 [133]
3-3/4 [95]
5-1/4 [133]
4-5/8 [117]

PREFIXES

_____ Z D.C.C.I. Body with Top*
_____ ZB D.C.C.I. Body with Polished Bronze Top (Add 3/16 [5] to 2 [51] Dim & 3/8 [10] to 14 [356] Dim.)
_____ ZN D.C.C.I. Body with Polished Nickel Bronze Top (Add 3/16 [5] to 2 [51] Dim. 3/8 [10] to 14 [365] Dim.)

SUFFIXES

_____ -AR Acid Resistant Epoxy Coated	_____ -EB Top-Set Adjustable Extension Assembly
_____ -C Underdeck Clamp	_____ -G Galvanized Cast Iron
_____ -DE Deck Extension (Includes Deck Plate -DP)	_____ -R Roof Sump Receiver
_____ -DG Duresist Grate	_____ -S Secondary Strainer
_____ -DP Top-Set® Roof Deck Plate (Replaces both -C and -R)	_____ -TC Neo-Loc Test Cap Gasket (2,3,4 [51,76,102] NL Bottom Outlet Only)
_____ -DR Top-Set® Drain Riser	_____ -TS Top Secured with Slotted Screws
_____ -DT Decorative Polished Top (ZN and ZB Only)	_____ -VP Vandal Proof Secured Top
_____ -E Static Extension 1 [25] thru 4 [102] (Specify Ht.)	_____ -XJ Vertical Expansion Joint (See Z190)
_____ -EA Adjustable Extension Assembly 2-1/8 [54] thru 3-1/2 [89]	_____ -Y Sediment Bucket
	_____ -90 90° Threaded Side Outlet Body

* Regularly furnished unless otherwise specified.