



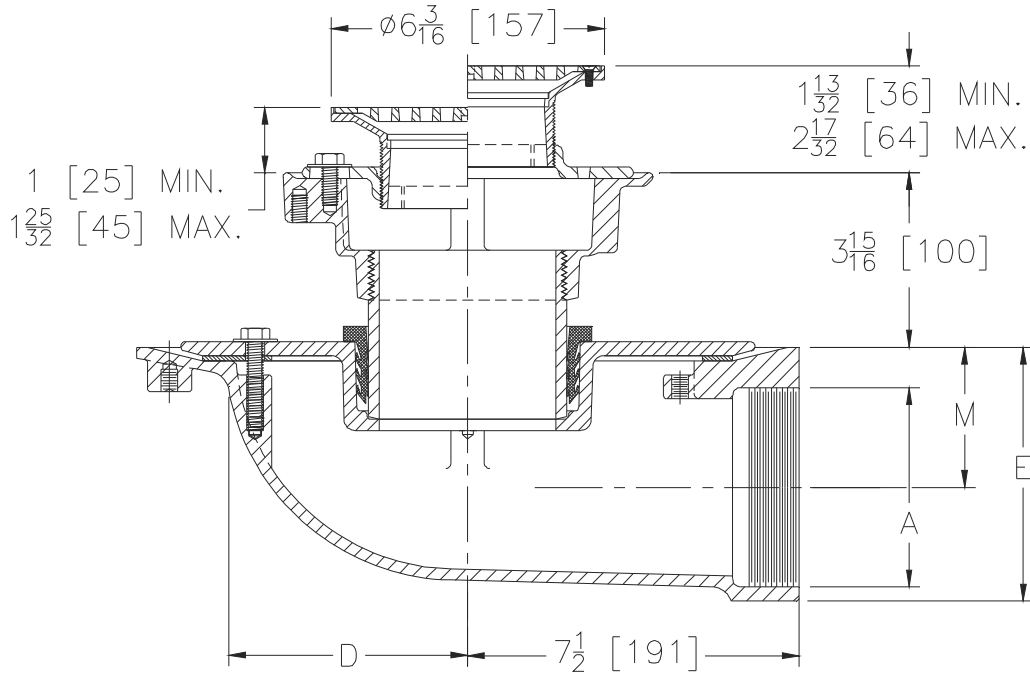
# Z625-101

## ISOLATION DECK ADJUSTABLE DRAIN WITH SIDE OUTLET

SPECIFICATION SHEET

TAG \_\_\_\_\_

Dimensional Data (inches and [ mm ]) are Subject to Manufacturing Tolerances and Change Without Notice



Dimensions In Inches			Approx. Wt. Lbs. [kg]	Grate Open Area Sq. In [sq. cm <sup>2</sup> ]
A Pipe Size	D	M		
2 [50]	5-1/2 [140]	4-1/4 [108]	42 [19]	9 [58]
3 [75]		3-11/16 [94]		
4 [100]		3-3/16 [81]		
5 [125]	5-7/8 [149]	4-13/16 [122]	42 [19]	9 [58]
6 [150]		4-1/4 [108]		

**ENGINEERING SPECIFICATION: ZURN Z625-101**

Adjustable lateral isolation deck drain, Dura-Coated cast iron upper and lower bodies, upper and lower clamp collars, neoprene flex gasket, isolation nipple and adjustable 6 [152] diameter nickel bronze strainer.

**OPTIONS** (Check/specify appropriate options)

**PIPE SIZE**

2, 3, 4 [51, 76, 102]  
5, 6 [127, 152]

(Specify size/type) **OUTLET**

\_\_\_\_ IP Threaded  
\_\_\_\_ IP Threaded

**'E' BODY HT. DIM.**

5-3/4 [146]  
7-7/8 [200]

**PREFIXES**

\_\_\_\_ ZB D.C.C.I Body w/ Polished Bronze Top  
\_\_\_\_ ZN D.C.C.I Body w/ Polished Nickel Bronze Top\*

**SUFFIXES**

\_\_\_\_ -C Underdeck Clamp (Lower Body)  
\_\_\_\_ -G Galvanized Cast Iron  
\_\_\_\_ -R Sump Receiver (Lower Body)  
\_\_\_\_ -U 3 [76] High Extension Adapter (Upper Body)  
\_\_\_\_ -VP Vandal-Proof Secured Top  
\_\_\_\_ -Y Sediment Bucket (Upper Body)

REV.	DATE: 04/19/13	C.N. NO. 129175
PROD./DWG. NO. Z625-101		

\*REGULARLY FURNISHED UNLESS OTHERWISE SPECIFIED