

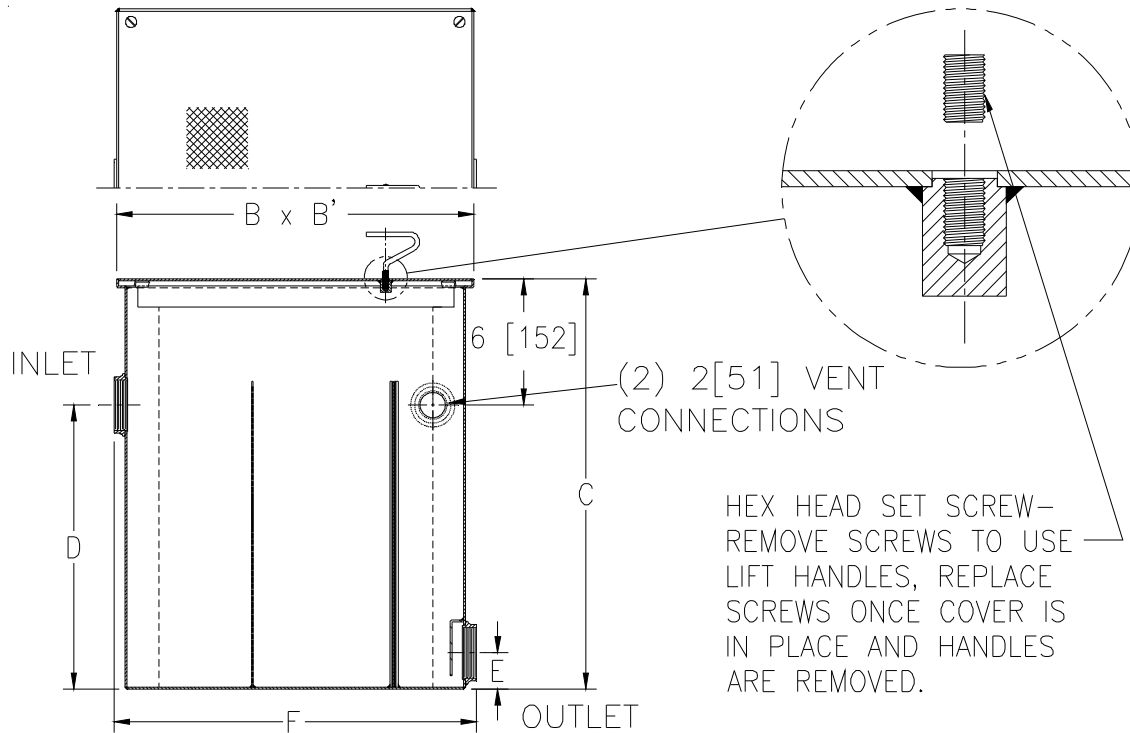


**Z1185-140**  
**HEAVY-DUTY LINT INTERCEPTOR W/  
 2[51] VENT CONNECTIONS**

**SPECIFICATION SHEET**

**TAG \_\_\_\_\_**

Dimensional Data (inches and [ mm ]) are Subject to Manufacturing Tolerances and Change Without Notice



| Size No. of Machines | Inlet/Outlet Size | Flow Rate G.P.M. [L] | Approx. Wt. Lbs. [kg] | Dimensions In Inches |           |              |              |            |              |
|----------------------|-------------------|----------------------|-----------------------|----------------------|-----------|--------------|--------------|------------|--------------|
|                      |                   |                      |                       | B                    | B'        | C            | D            | E          | F            |
| 3                    | 2 [51]            | 30 [113]             | 93 [42]               | 17 [432]             | 17 [432]  | 19-1/2 [495] | 13-1/2 [343] | 3-1/4 [82] | 17-1/4 [438] |
| 7                    | 3 [76]            | 70 [265]             | 155 [70]              | 25 [635]             | 25 [635]  | 23 [584]     | 17 [432]     | 3-1/4 [82] | 25-1/2 [648] |
| 10                   | 4 [102]           | 100 [378]            | 271 [123]             | 33 [838]             | 33 [838]  | 31 [787]     | 25 [635]     | 4 [102]    | 34 [864]     |
| 20                   | 4 [102]           | 200 [756]            | 404 [183]             | 40 [1016]            | 40 [1016] | 38 [965]     | 32 [813]     | 4 [102]    | 41 [1041]    |
| 30                   | 6 [152]           | 300 [1134]           | 654 [297]             | 45 [1143]            | 45 [1143] | 43 [1092]    | 36 [914]     | 5 [127]    | 46 [1168]    |
| 40                   | 6 [152]           | 400 [1512]           | 723 [328]             | 48 [1219]            | 48 [1219] | 46 [1168]    | 39 [991]     | 5 [127]    | 49 [1245]    |
| 50                   | 6 [152]           | 500 [1890]           | 911 [414]             | 52 [1321]            | 52 [1321] | 50 [1270]    | 43 [1092]    | 5 [127]    | 53 [1346]    |

**ENGINEERING SPECIFICATION: ZURN Z1185-140**

Acid Resistant Coated interior and exterior fabricated steel lint interceptor, non-skid heavy-duty secured cover rated at 10,000 lb [4534] maximum safe live load with removable lift handle and 2 [51] vent connections, stainless lint intercepting secondary screen assembly with 3/32 [2] Square openings and permanent primary straining baffle with 3/8 [10] diameter perforated holes. Regularly furnished with high inlet and low outlet. Note: size #3 and #7 covers are not furnished with a lift handle.

**OPTIONS** (Check/specify appropriate options)

**PREFIXES**

- \_\_\_\_ Z Acid Resistant Coated Fabricated Steel\*
- \_\_\_\_ ZS All Type 304 Fabricated Stainless Steel

**SUFFIXES**

- \_\_\_\_ -E Acid Resistant Coated interior and exterior fabricated steel extension section (Specify 'C' dimension required for recessed installation).
- \_\_\_\_ -RS Stainless Steel Screen Replacement Assembly

\* Regularly furnished unless otherwise specified.