

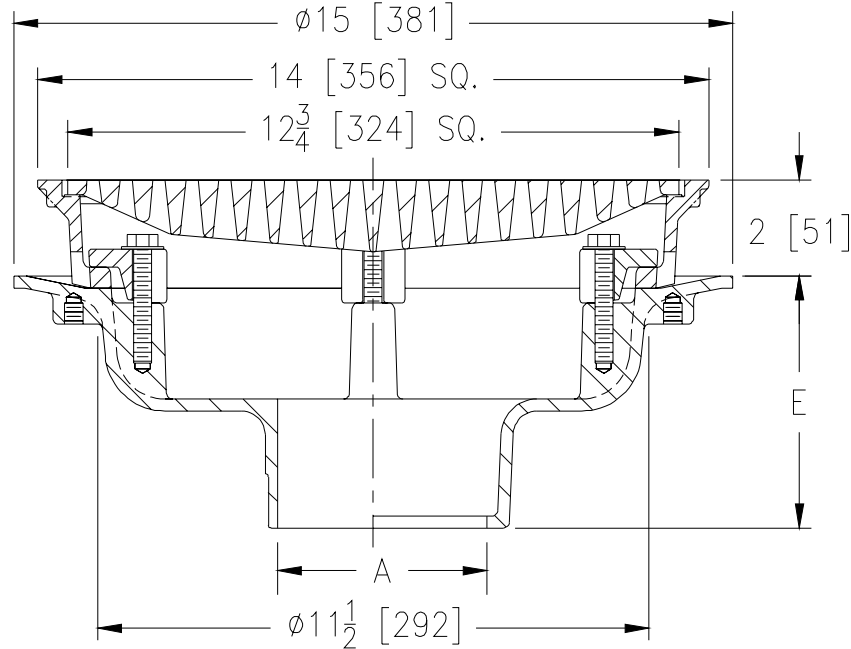


Z150-120

14 [356] TOP PROM-DECK DRAIN W/ WIDE SLOT EXTRA-HEAVY DUTY GRATE & ROTATABLE FRAME

TAG _____

Dimensional Data (inches and [mm]) are Subject to Manufacturing Tolerances and Changes Without Notice



A Pipe Size In.	Approx. Wt. Lbs. [kg]	Grate Open Area Sq. In. [cm ²]
2-3-4 [51-76-102]	53 [24]	61 [394]
5-6 [127-152]		
8 [204]	54 [24]	

ENGINEERING SPECIFICATION: ZURN Z150-120

14 [356] Square Top Prom-Deck drain, Dura-Coated cast iron body with rotatable square promenade frame, frame clamps and extra heavy-duty wide slot Duresist grate.

OPTIONS (Check/specify appropriate options)

PIPE SIZE

- 2 thru 8 [51 thru 204]
- 2 thru 8 [51 thru 204]
- 2 thru 8 [51 thru 204]
- 2-3-4 [51-76-102]

(Specify size/type) **OUTLET**

- ___ IC Inside Caulk
- ___ IP Threaded
- ___ NH No-Hub
- ___ NL Neo-Loc

'E' BODY HT. DIM.

- 5 1/4 [133]
- 3 3/4 [95]
- 5 1/4 [133]
- 4 5/8 [117]

PREFIXES

- ___ Z D.C.C.I. Body with Duresist Top*
- ___ ZB D.C.C.I. Body with Polished Bronze Top (Add 3/16 [5] to 2 [51] Dim & 3/8 [10] to 14 [356] Dim.)
- ___ ZN D.C.C.I. Body with Polished Nickel Bronze Top (Add 3/16 [5] to 2 [51] Dim. & 3/8 [10] to 14 [356] Dim.)

SUFFIXES

- | | |
|---|--|
| ___ -AR Acid Resistant Epoxy Coated | ___ -R Roof Sump Receiver |
| ___ -C Underdeck Clamp | ___ -S Secondary Strainer |
| ___ -DB Deep Sump Body | ___ -SC Secondary Clamping Collar |
| ___ -DP Top-Set® Roof Deck Plate
(Replaces both the -C and -R) | ___ -TC Neo-Loc Test Cap Gasket
(2 - 4 [51 - 102] NL Bottom Outlet Only) |
| ___ -DR Top-Set® Drain Riser
(Adjustment from 3 5/8 [92] to 7 1/4 [184]) | ___ -TS Secured Top With Slotted Screws |
| ___ -DX Dex-o-tex Flange | ___ -VP Vandal-Proof Secured Top |
| ___ -E Static Extension 1 [25] thru 4 [102] (Specify Ht.) | ___ -XJ Vertical Expansion Joint (See Z190) |
| ___ -EA Adjustable Extension Assembly
1 3/4 [44] thru 3 1/2 [89] | ___ -Y Sediment Bucket |
| ___ -ES Static Extension w/ Secondary Clamp Collar
(For Clamping at Roof Drain Body) | ___ -85 Stainless Steel Perforated Extension |
| ___ -G Galvanized Cast Iron | ___ -90 90° Threaded Side Outlet Body
(2 - 6 [51 - 152]) (Previously Z153) |

*REGULARLY FURNISHED UNLESS OTHERWISE SPECIFIED

REV.	DATE: 3/23/05	C.N. NO. 93139
DWG. NO. P-15135 PRODUCT NO. Z150-120		