



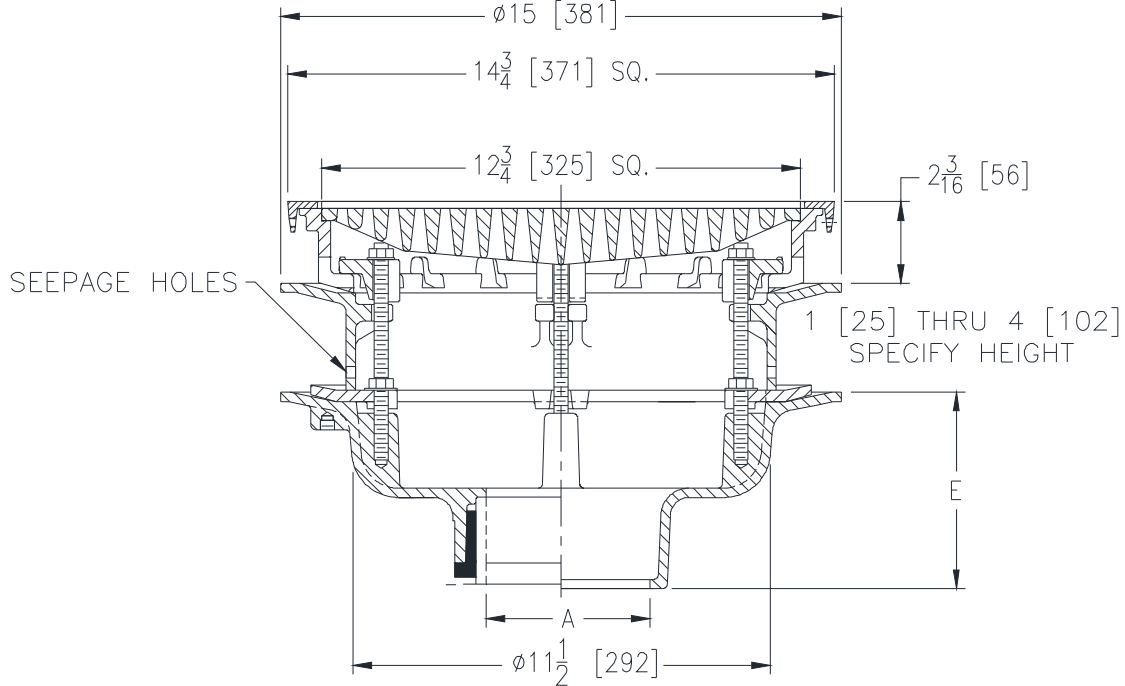
Z150-143

14 [356] SQUARE TOP PROM-DECK DRAIN W/ STATIC EXTENSION, SECONDARY CLAMP COLLAR, AND STAIN-LESS TOP

SPECIFICATION SHEET

TAG _____

Dimensional Data (inches and [mm]) are Subject to Manufacturing Tolerances and Change Without Notice



A Pipe Size In.	Approx. Wt. Lbs.[kg]	Grate Open Area Sq. In.[cm ²]
2,3,4 [51,76,102]	68 [31]	44 [284]
5,6 [127,152]		
8 [203]	70 [32]	

ENGINEERING SPECIFICATION: ZURN Z150-143

14" [356mm] Square Top Prom-Deck drain, Dura-Coated cast iron body, secondary clamp collar, static extension with seepage holes, rotatable square promenade frame with seepage openings, frame clamps, and heavy-duty heel-proof grate with stainless veneer.

OPTIONS (Check/specify appropriate options)

PIPE SIZE

- 2,3,4,5,6,8 [51,76,102,127,152,203]
- 2,3,4,5,6,8 [51,76,102,127,152,203]
- 2,3,4,5,6,8 [51,76,102,127,152,203]
- 2,3,4 [51,76,102]

(Specify size/type) OUTLET

- _____ IC Inside Caulk
- _____ IP Threaded
- _____ NH No-Hub
- _____ NL Neo-Loc

E BODY HT. DIM.

- 5-1/4 [133]
- 3-3/4 [95]
- 5-1/4 [133]
- 4-9/16 [116]

PREFIXES

- _____ Z D.C.C.I. Body with Stainless Top*

SUFFIXES

- | | |
|--|--|
| _____ -AR Acid Resistant Epoxy Coated | _____ -HF High Flow Ductile Iron Grate (Open Area = 61 in ² [394 cm ²]) |
| _____ -C Underdeck Clamp | _____ -R Roof Sump Receiver |
| _____ -DB Deep Sump Body | _____ -S Secondary Strainer |
| _____ -DG Duresist Grate | _____ -TC Neo-Loc Test Cap Gasket (2 [51]-4 [102] NL Bottom Outlet Only) |
| _____ -DP Top-Set [®] Roof Deck Plate (Replaces both the -C and -R) | _____ -TS Top Secured with Slotted Screws |
| _____ -DR Top-Set [®] Drain Riser (Adjustment from 3 5/8 [92] to 7 1/4 [184]) | _____ -VP Vandal-Proof Secured Top |
| _____ -EA Adjustable Extension Assembly 2 1/8 [54] thru 3 1/2 [89] | _____ -XJ Vertical Expansion Joint (See Z190) |
| _____ -EB Top-Set [®] Adjustable Extension Assembly | _____ -Y Sediment Bucket |
| _____ -G Galvanized Cast Iron | _____ -90 90° Threaded Side Outlet Body (2 [51] thru 6 [152]) |

* Regularly furnished unless otherwise specified.