



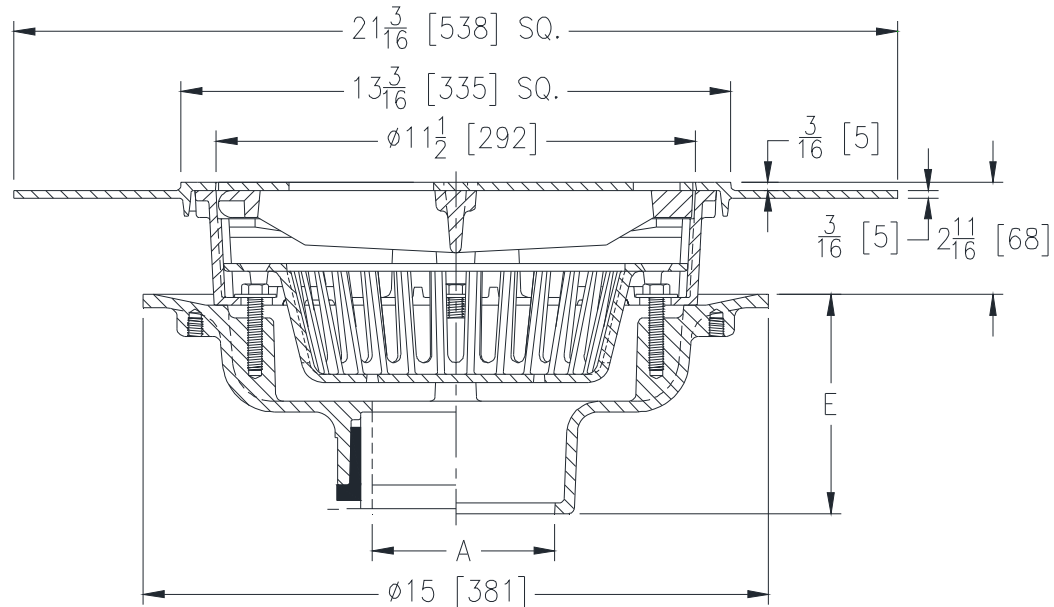
Z610-DX

13-3/16 [335] SQUARE TOP HEAVY-DUTY DRAIN WITH DEX-O-TEX FLANGE

SPECIFICATION SHEET

TAG _____

Dimensional Data (inches and [mm]) are Subject to Manufacturing Tolerances and Change Without Notice



A - Pipe Size In. [mm]	Approx. Wt. Lbs. [kg]	Grate Open Area Sq. In. [cm ²]
2, 3, 4, 6 [51, 76, 102, 152]	60 [27]	42 [271]
8 [203]	62 [28]	

ENGINEERING SPECIFICATION: ZURN Z610-DX
 13-3/16" [335mm] Square top drain, Dura-Coated cast iron body with bottom outlet, seepage pan and combination membrane flashing clamp and frame for heavy-duty cast iron loose slotted grate, with suspended polypropylene sediment bucket.

OPTIONS (Check/specify appropriate options)

PIPE SIZE

- 3, 4, 6 [76, 102, 152]
- 3, 4, 6 [76, 102, 152]
- 2, 3, 4, 6 [51, 76, 102, 152]
- 2, 3, 4, 6, 8 [51, 76, 102, 152, 203]
- 2, 3, 4 [51, 76, 102]

(Specify size/type) **OUTLET**

- _____ IC Inside Caulk
- _____ IG Inside Caulk
- _____ IP Threaded
- _____ NH No-Hub
- _____ NL Neo-Loc

'E' BODY HT. DIM.

- 5-1/4 [133]
- 5-1/4 [133]
- 3-3/4 [95]
- 5-1/4 [133]
- 4-5/8 [117]

PREFIXES

- _____ ZB D.C.C.I Body w/Polished Bronze Top
- _____ ZN D.C.C.I Body w/Polished Nickel Bronze Top.*

SUFFIXES

- | | |
|-------------------------------------------------|-----------------------------------------------------|
| _____ -AR Acid Resistant Epoxy Coated Cast Iron | _____ -P Trap Primer Connection |
| _____ -DG Duresist Grate | _____ -S Secondary Strainer |
| _____ -DS Ductile Iron Solid Cover | _____ -SC Solid Cover |
| _____ -F 2 [51] High Extension | _____ -SS Stainless Steel Mesh Liner for Bucket |
| _____ -G Galvanized Cast Iron | _____ -TC Neo-Loc Test Cap Gasket |
| _____ -H Hinged Grate | _____ (2, 3, 4 [51, 76, 102] NL Bottom Outlet Only) |
| _____ -HC Hinged Solid Cover | _____ -TS Top Secured with Slotted Screws |
| _____ -HL Hinged Locking Grate | _____ -V Backwater Valve (See Z1099) |
| _____ -HLC Hinged Locking Cover | _____ -VP Vandal-Proof Secured Top |
| _____ -LY (Less) Sediment Bucket | _____ -YA Aluminum Sediment Bucket |
| | _____ -YC Cast Iron Sediment Bucket |
| | _____ -90 90° Threaded Side Outlet Body |

* Regularly furnished unless otherwise specified.