



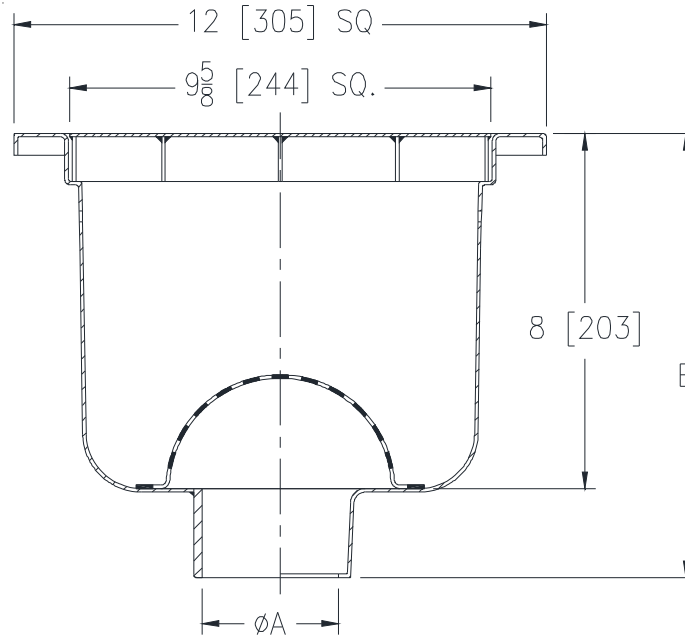
Z1751-15

12 X 12 [305 X 305] SANI-FLOR RECEPTOR 8 [203]
SUMP DEPTH W/ SOLID COVER

SPECIFICATION SHEET

TAG _____

Dimensional Data (inches and [mm]) are Subject to Manufacturing Tolerances and Change Without Notice



A - Pipe Size In. [mm]	Approx. Wt. Lbs [kg]
2, 3, 4 [51, 76, 102]	19 [9]
6 [152]	21 [9]

ENGINEERING SPECIFICATION: ZURN Z1751-15

12" x 12" x 8" [305mm x 305mm x 203mm] deep, 16 gage, All Type 304 (CF8) Stainless Steel light-duty Sani-Flor receptor with non-tilt, loose set solid cover and anti-splash stainless steel interior dome strainer.

OPTIONS (Check/specify appropriate options)

PIPE SIZE

- 3, 4 [76, 102]
- 2, 3, 4, 6 [51, 76, 102, 152]
- 2, 3, 4 [51, 76, 102]

(Specify size/type) OUTLET

- ___ IC Inside Caulk
- ___ NH No-Hub
- ___ NL Neo-Loc

'E' BODY HT. DIM.

- 10-9/16 [268]
- 10-1/16 [256]
- 9-13/16 [249]

PREFIXES

- ___ Z Type 304 (CF8) Stainless Steel Body*
- ___ ZM Type 316 (CF8M) Stainless Steel

SUFFIXES

- ___ -DX Dex-O-Tex Flange
- ___ -HD Extra Heavy-Duty Grate
- ___ -HP Heel-Proof Grate
- ___ -K Anchor Flange
- ___ -KC Anchor Flange w/ Seepage Holes and Clamp Collar
- ___ -P 1/2 [13] Trap Primer Connection
- ___ -SG Solid Gasketed Cover
- ___ -TC Neo-Loc Test Cap Gasket
- ___ (2, 3, 4 [51, 76, 102] NL Bottom Outlet Only)
- ___ -VP Vandal-Proof Secured Top
- ___ -Y Sediment Bucket
- ___ -YS Suspended Sediment Bucket

* Regularly furnished unless otherwise specified.