



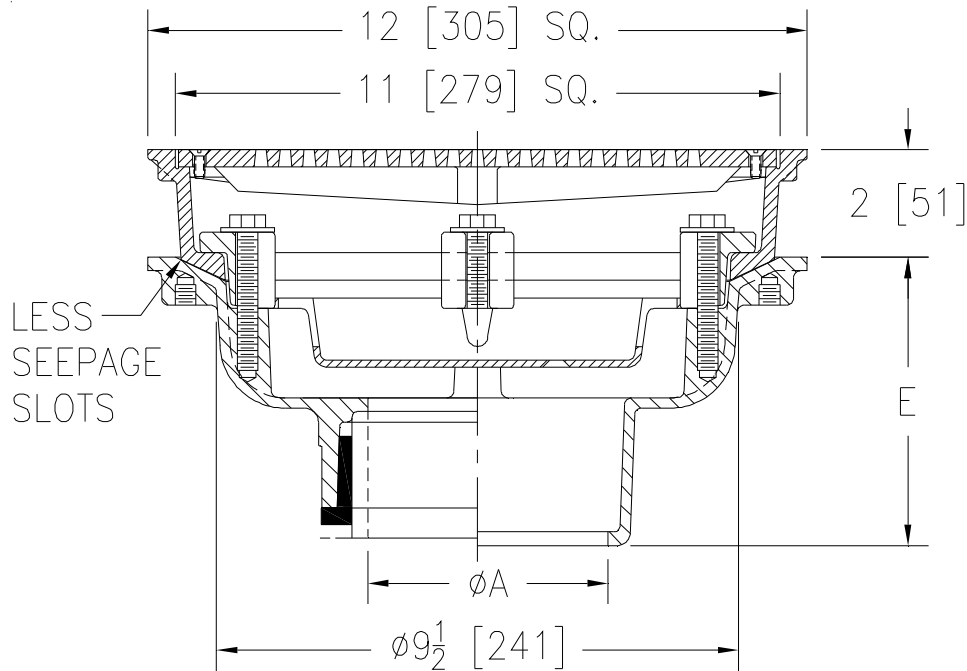
Z154-93

SPECIFICATION SHEET

12 [305] SQUARE TOP PROM-DECK DRAIN W/ HEEL-PROOF DUCTILE GRATE, ROTATABLE FRAME & SEDIMENT BUCKET

TAG _____

Dimensional Data (inches and [mm]) are Subject to Manufacturing Tolerances and Changes Without Notice



A- Pipe Size In.	Approx. Wt. Lbs. [kg]	Grate Open Area Sq. In. [cm ²]
2 thru 6 [51 thru 152]	33 [15]	34 [219]

ENGINEERING SPECIFICATION: ZURN Z154-93
 12 [305] Square Top Prom-Deck drain, Dura-Coated cast iron body with rotatable square promenade frame, frame clamps secured ductile iron heel-proof grate and sediment bucket.

OPTIONS (Check/specify appropriate options)

NOTE: Frame and grate to be provided without coating.

PIPE SIZE

- 2 thru 6 [51 thru 152]
- 2 thru 6 [51 thru 152]
- 2 thru 6 [51 thru 152]
- 2 thru 4 [51 thru 102]

(Specify size/type) **OUTLET**

- ___ IC Inside Caulk
- ___ IP Threaded
- ___ NH No-Hub
- ___ NL Neo-Loc

'E' BODY HT. DIM.

- 5 1/4 [133]
- 3 3/4 [95]
- 5 1/4 [133]
- 4 5/8 [117]

PREFIXES

- ___ Z D.C.C.I. Body with Top*

SUFFIXES

- | | |
|--|---|
| ___ -AR Acid Resistant Epoxy Coated | ___ -VP Vandal-Proof Secured Top |
| ___ -C Underdeck Clamp | ___ -XJ Vertical Expansion Joint (See Z190) |
| ___ -DP Top-Set® Roof Deck Plate (Replaces Both the -C and -R) | ___ -85 Stainless Steel Perforated Extension |
| ___ -E 2 [51] High Static Extension | ___ -90 90° Threaded Side Outlet Body (2 [51] thru 4 [102]) |
| ___ -EB Top-Set® Adjustable Extension Assembly | |
| ___ -ES Static Extension with Secondary Clamp Collar at Body (For Clamping at Roof Drain Body) | |
| ___ -G Galvanized Cast Iron | |
| ___ -R Roof Sump Receiver | |
| ___ -S Secondary Strainer | |
| ___ -SC Secondary Clamp Collar | |
| ___ -TC Neo-Loc Test Cap Gasket (2 [51] - 4 [102] NL Bottom Outlet Only) | |

REV.	DATE: 06/30/06	C.N. NO. 95275
DWG. NO. P-15305 PRODUCT NO. Z154-93		

*REGULARLY FURNISHED UNLESS OTHERWISE SPECIFIED