



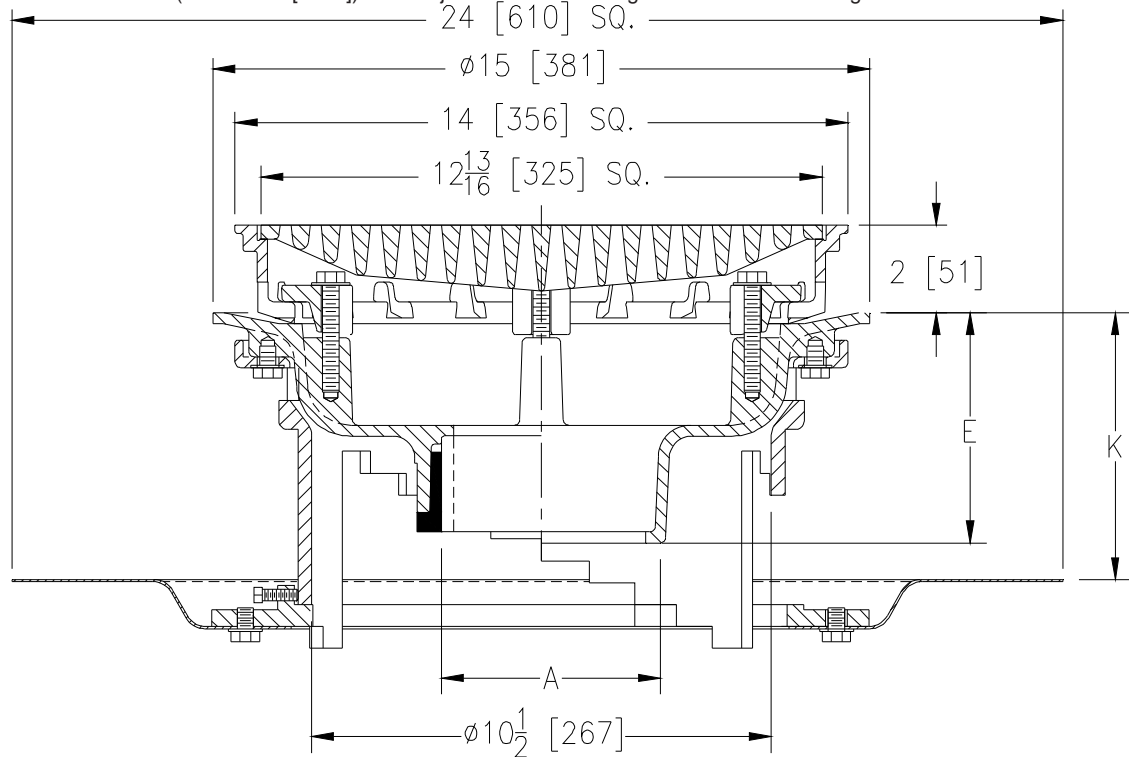
# Z150-DE

14 [356] SQUARE TOP PROM-DECK DRAIN W/ TOP-SET®  
DECK EXTENSION, HEEL PROOF GRATE, AND  
ROTATABLE FRAME

SPECIFICATION SHEET

TAG \_\_\_\_\_

Dimensional Data (inches and [ mm ]) are Subject to Manufacturing Tolerances and Change Without Notice



Dimensions in inches [mm]			Approx Wt. lbs [kg]	Grate Open Area in <sup>2</sup> [cm <sup>2</sup> ]
A Pipe Size	K			
	Min	Max		
2,3,4 [51,76,102]	2-5/8 [67]	7-1/4 [184]	87 [39]	44 [284]
6 [152]			87 [39]	
8 [203]			88 [40]	

**ENGINEERING SPECIFICATION:** ZURN Z150-DE  
14" [356mm] Square top Prom-Deck drain,  
Dura-Coated cast iron body with rotatable square  
promenade frame with seepage openings, frame  
clamps, heavy-duty heel-proof grate, and Top-Set®  
deck extension.

**OPTIONS** (Check/specify appropriate options)

**PIPE SIZE**

- 2,3,4,6 [51,76,102,152]
- 2,3,4,6,8 [51,76,102,152,203]
- 2,3,4,6,8 [51,76,102,152,203]
- 2,3,4 [51,76,102]

(Specify size/type) **OUTLET**

- \_\_\_\_\_ IC Inside Caulk
- \_\_\_\_\_ IP Threaded
- \_\_\_\_\_ NH No-Hub
- \_\_\_\_\_ NL Neo-Loc

**E BODY HT. DIM.**

- 5-1/4 [133]
- 3-3/4 [95]
- 5-1/4 [133]
- 4-5/8 [117]

**PREFIXES**

- \_\_\_\_\_ Z D.C.C.I. Body with Top\*
- \_\_\_\_\_ ZB D.C.C.I. Body with Polished Bronze Top (Add 3/16 [5] to 2 [51] Dim & 3/8 [10] to 14 [356] Dim.)
- \_\_\_\_\_ ZN D.C.C.I. Body with Polished Nickel Bronze Top (Add 3/16 [5] to 2 [51] Dim & 3/8 [10] to 14 [356] Dim.)

**SUFFIXES**

- \_\_\_\_\_ -AR Acid Resistant Epoxy Coated
- \_\_\_\_\_ -DG Duresist Grate
- \_\_\_\_\_ -DT Decorative Polished Top (ZN and ZB Only)
- \_\_\_\_\_ -E Static Extension 1 [25] thru 4 [102] (Specify Ht.)
- \_\_\_\_\_ -EA Adjustable Extension Assembly  
2-1/8 [54] thru 3-1/2 [89]
- \_\_\_\_\_ -G Galvanized Cast Iron
- \_\_\_\_\_ -R Roof Sump Receiver
- \_\_\_\_\_ -S Secondary Strainer
- \_\_\_\_\_ -SC Secondary Clamping Collar
- \_\_\_\_\_ -TC Neo-Loc Test Cap Gasket  
(2,3,4 [51,76,102] NL Bottom Outlet Only)
- \_\_\_\_\_ -TS Top Secured with Slotted Screws
- \_\_\_\_\_ -VP Vandal Proof Secured Top
- \_\_\_\_\_ -XJ Vertical Expansion Joint (See Z190)
- \_\_\_\_\_ -Y Sediment Bucket
- \_\_\_\_\_ -85 Stainless Steel Perforated Extension

\* Regularly furnished unless otherwise specified.