



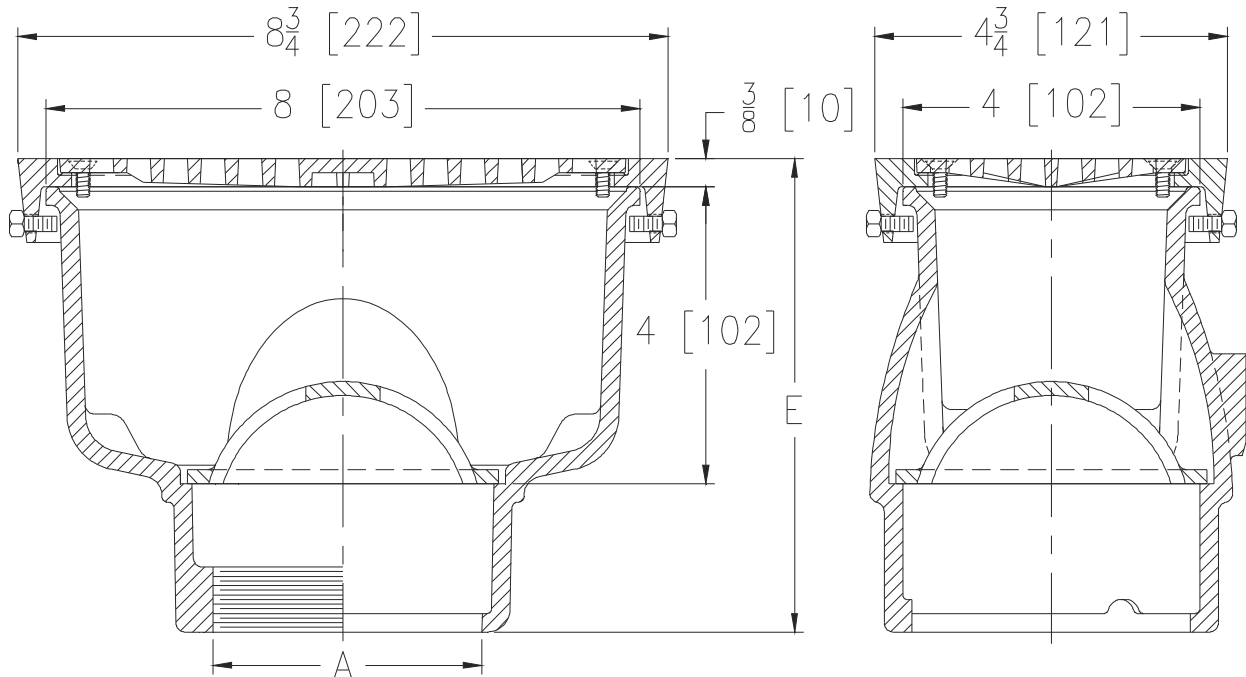
ZN1930-11

8-3/4 X 4-3/4 [222 X 121] A.R.C. SANI-FLOR RECEPTOR
 4 [102] SUMP DEPTH W/ NICKEL BRONZE FRAME
 & VANDAL-PROOF SECURED GRATE

SPECIFICATION SHEET

TAG _____

Dimensional Data (inches and [mm]) are Subject to Manufacturing Tolerances and Change Without Notice



A Pipe Size In. [mm]	Approx Wt. Lbs. [kg]	Grate Open Area Sq. In. [cm ²]
2,3 [51,76]	11 [5]	7.5 [48]

ENGINEERING SPECIFICATION: ZURN ZN1930-11

Sani-Flor Receptor 8" x 4" x 4" [203mm x 102mm x 102mm] deep cast iron body with white acid resisting epoxy coated interior, with 8-3/4" x 4-3/4" [222mm x 121mm] nickel bronze frame and vandal-proof secured grate, complete with white ABS anti-splash interior bottom dome strainer.

OPTIONS (Check/specify appropriate options)

PIPE SIZE

3 [76]
 2,3 [51,76]
 2,3 [51,76]

(Specify size/type) OUTLET

___ IC Inside Caulk
 ___ IP Threaded
 ___ NL Neo-Loc

'E' BODY HT. DIMENSION

6-3/8 [162]
 6-3/8 [162]
 6-3/16 [157]

PREFIXES

___ ZN Cast Iron Body with White A.R.C. Interior, 8-3/4 x 4-3/4 [222 x 121] Nickel Bronze Frame and Vandal-Proof Full Grate with 5/16 [8] Square Openings*

SUFFIXES

___ -K	Anchor Flange with Seepage Holes	___ -6	Grate w/ 6 [152] Diameter x 6 [152]
___ -KC	Anchor Flange with Seepage Holes and Clamp Collar	___ -8	High Funnel
___ -LD	Less Bottom Dome Strainer	___ -15	Grate w/ 8-7/8 x 3-5/8 x 3-3/4 [225 x 92 x 95]
___ -P	1/2 [13] Trap Primer Connection	___ -23	High Oval Funnel
___ -S	Secondary Strainer	___ -25	Solid Loose Set Cover
___ -TC	Neo-Loc Test Cap Gasket (2,3 [51,76] NL Bottom Outlet Only)	___ -31	Stainless Steel Bucket
___ -2	1/2 Grate	___ -32	White A.R.C. Bucket
___ -3	3/4 Grate	___ -33	Stainless Steel Mesh Liner for Bucket
___ -4	Full Grate with Square Center Opening		Aluminum Dome Strainer
			White A.R.C. Anti-Splash Bottom Dome Strainer

* Regularly furnished unless otherwise specified.