

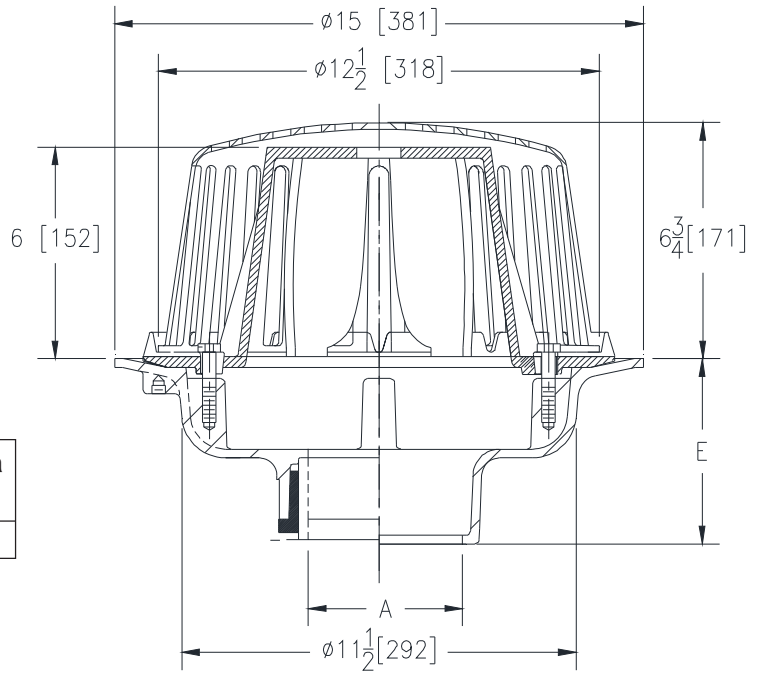


Z105-10

"CONTROL-FLO" ROOF DRAIN WITH PARABOLIC WEIR

Dimensional Data (inches and [mm]) are Subject to Manufacturing Tolerances and Change Without Notice

Specify Number of Notches in Weir	
___-N1	One Notch
___-N2	Two Notches
___-N3	Three Notches
___-N4	Four Notches
___-N5	Five Notches
___-N6	Six Notches



A- Pipe Size In. [mm]	Approx. Wt. Lbs. [kg]	Dome Open Area Sq. In. [cm ²]
2,3,4 [51,76,102]	34 [15]	103 [665]

ENGINEERING SPECIFICATION: ZURN Z105-10

15" [381mm] Diameter Control-Flo roof drain for sloped roof construction, Dura-Coated cast iron body, 6" [152mm] High Parabolic Control-Flo weir for sloped roof shall be linear functioning with integral membrane flashing clamp/gravel guard. All data shall be verified proportional to flow rates. Each notch will allow 10 GPM of flow per inch of rain water build up above the drain.

OPTIONS (Check/specify appropriate options)

PIPE SIZE	(Specify size/type)	OUTLET	E BODY HT. DIM.
2, 3, 4 [51,76,102]	___	IC Inside Caulk	5-1/4 [133]
2, 3, 4 [51,76,102]	___	IP Threaded	3-3/4 [95]
2, 3, 4 [51,76,102]	___	NH No-Hub	5-1/4 [133]
2, 3, 4 [51,76,102]	___	NL Neo-Loc	4-9/16 [116]

PREFIXES

___ZA	D.C.C.I. Body with 6-3/4 [171] High Aluminum Dome
___ZC	D.C.C.I. Body with 6-3/4 [171] High Cast Iron Dome

SUFFIXES

___-C	Underdeck Clamp	___-R	Roof Sump Receiver
___-DE	Deck Extension	___-SC	Secondary Clamping Collar
___-DP	Top-Set® Deck Plate (Replaces both -C & -R)	___-TC	Neo-Loc Test Cap Gasket (2,3,4 [51,76,102] NL Bottom Outlet Only)
___-DR	Top-Set® Drain Riser	___-VP	Vandal Proof Secured Top
___-E	Static Extension 1 [25] thru 4 [102] (Specify Ht.)	___-XJ	Vertical Expansion Joint (See Z190)
___-EA	Adjustable Extension Assembly 2-1/8 [54] thru 3-1/2 [89]	___-90	90° Threaded Side Outlet Body
___-G	Galvanized Cast Iron		

* Regularly furnished unless otherwise specified.