



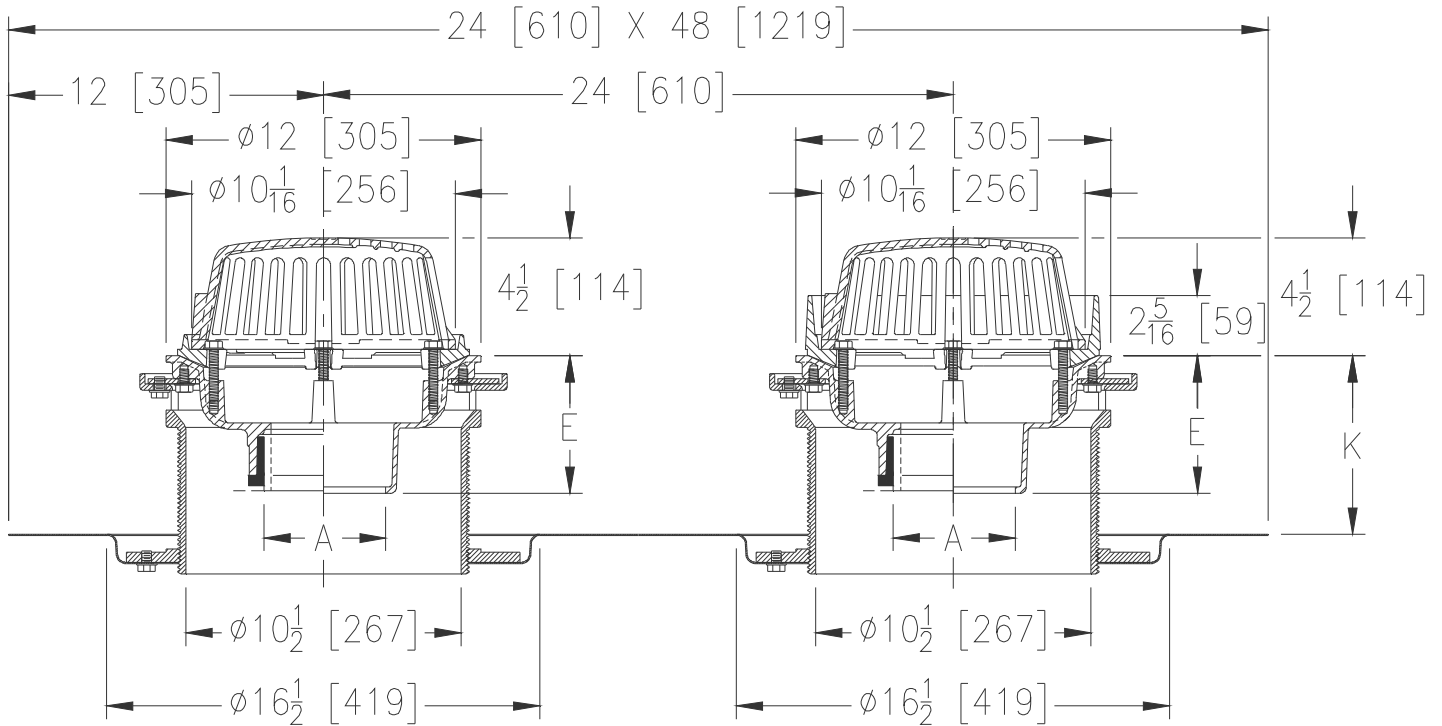
# Z164-82

Ø12 [305] COMBINATION MAIN ROOF & OVERFLOW  
DRAIN W/ LOW SILHOUETTE DOMES, DOUBLE  
TOP-SET® DECK PLATE, & TOP-SET® DRAIN RISER

SPECIFICATION SHEET

TAG \_\_\_\_\_

Dimensional Data (inches and [ mm ]) are Subject to Manufacturing Tolerances and Change Without Notice



A Pipe Size In.	Approx. Wt. Lbs. [kg]	Dome Open Area Sq. In. [cm <sup>2</sup> ]	K	
			Min.	Max.
2-3-4-5-6 [51-76-102-127-152]	140 [64]	78 [503]	2-3/4 [69]	6-7/8 [175]

**ENGINEERING SPECIFICATION:** ZURN Z164-82  
12 [305] Diameter roof drain and overflow drain, Dura-Coated cast iron bodies with combination membrane flashing clamp/gravel guards, double Top-Set® deck plate, Top-Set® Drain Riser, and low silhouette cast iron domes.

**OPTIONS** (Check/specify appropriate options)

**PIPE SIZE**

- 2-3-4-5-6 [51-76-102-127-152]
- 2-3-4-5-6 [51-76-102-127-152]
- 2-3-4-5-6 [51-76-102-127-152]
- 2-3-4 [51-76-102]

(Specify size/type) **OUTLET**

- \_\_\_\_\_ IC Inside Caulk
- \_\_\_\_\_ IP Threaded
- \_\_\_\_\_ NH No-Hub
- \_\_\_\_\_ NL Neo-Loc

**E BODY HT. DIM.**

- 5-1/4 [133]
- 3-3/4 [95]
- 5-1/4 [133]
- 4-5/8 [117]

**PREFIXES**

- \_\_\_ Z D.C.C.I. Body with Dome (4-1/4 [108] Dome Height)\*
- \_\_\_ ZA D.C.C.I. Body with Aluminum Dome (6-9/16 [167] Dome Height)
- \_\_\_ ZRB D.C.C.I. Body with Plain Bronze Dome (3-7/8 [98] Dome Height)

**SUFFIXES**

- \_\_\_ -AR Acid Resistant Epoxy Coated Finish
- \_\_\_ -BS Bronze Mesh Screen Over Dome
- \_\_\_ -E Static Extension 1-2-3-4 [25-51-76-102] (Specify Ht.)
- \_\_\_ -G Galvanized Cast Iron
- \_\_\_ -SC Secondary Clamping Collar
- \_\_\_ -SS Stainless Steel Mesh Screen Over Dome
- \_\_\_ -TC Neo-Loc Test Cap Gasket  
2-3-4 [51-76-102] NL Bottom Outlet Only)
- \_\_\_ -VP Vandal-Proof Secured Top
- \_\_\_ -XJ Vertical Expansion Joint (See Z190)
- \_\_\_ -84 Stainless Steel Perforated Gravel Guard
- \_\_\_ -85 Stainless Steel Perforated Extension

\* Regularly furnished unless otherwise specified.