

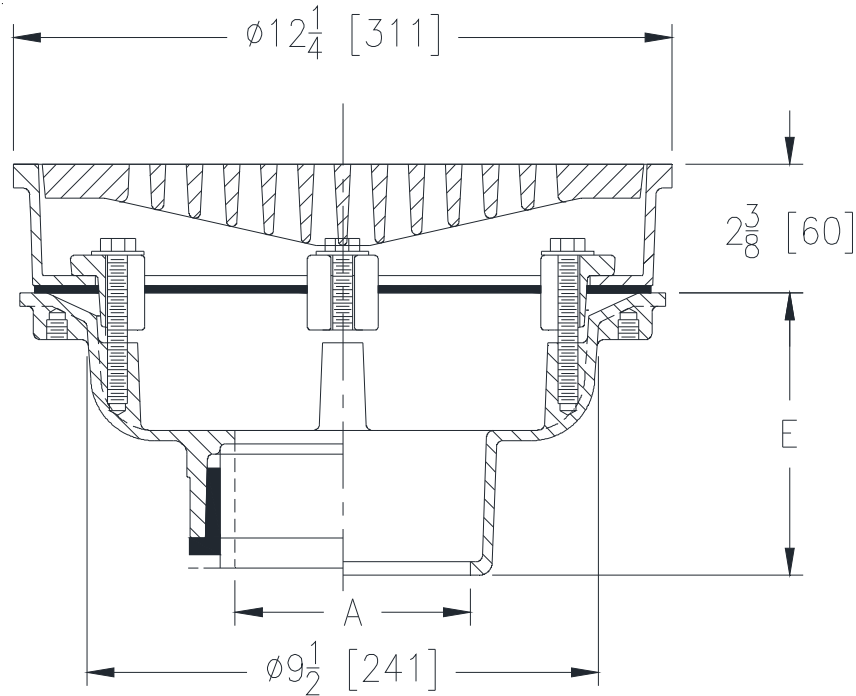
**Z550-107**

12-1/4 [311] DIAMETER HEAVY-DUTY FLOOR DRAIN

SPECIFICATION SHEET

TAG \_\_\_\_\_

Dimensional Data (inches and [ mm ]) are Subject to Manufacturing Tolerances and Change Without Notice



A Pipe Size In [mm]	Approx. Wt. Lbs. [kg]	Grate Open Area Sq. In. [cm <sup>2</sup> ]
2, 3, 4, 6 [51, 76, 102, 152]	54 [24]	30 [194]

**ENGINEERING SPECIFICATION: ZURN Z550-107**

12-1/4" [311mm] Diameter floor drain, Dura-Coated cast iron body with bottom outlet, seepage pan and combination membrane flashing clamp and frame for heavy-duty slotted grate.

**OPTIONS** (Check/specify appropriate options)**PIPE SIZE**

2, 3, 4, 6 [51, 76, 102, 152]  
 2, 3, 4, 6 [51, 76, 102, 152]  
 2, 3, 4, 6 [51, 76, 102, 152]  
 2, 3, 4 [51, 76, 102]

(Specify size/type) **OUTLET**

\_\_\_ IC Inside Caulk  
 \_\_\_ IP Threaded  
 \_\_\_ NH No-Hub  
 \_\_\_ NL Neo-Loc

**'E' BODY HT. DIM.**

5-1/4 [133]  
 3-3/4 [96]  
 5-1/4 [133]  
 4-9/16 [116]

**PREFIXES**

\_\_\_ Z D.C.C.I. Body and Top\*  
 \_\_\_ ZN D.C.C.I. Body with Polished Nickel Bronze Top

**SUFFIXES**

\_\_\_ -AR Acid Resistant Epoxy Coating  
 \_\_\_ -DG Duresist Grate  
 \_\_\_ -G Galvanized Cast Iron  
 \_\_\_ -HP Heel Proof Grate  
 \_\_\_ -TC Neo-Loc Test Cap Gasket (2,3,4 [51,76,102] NL Bottom Outlet Only)  
 \_\_\_ -TS Top Secured with Slotted Screws  
 \_\_\_ -VP Vandal-Proof Secured Top

\* Regularly furnished unless otherwise specified.

**Zurn Industries, LLC | Specification Drainage Operation**  
 1801 Pittsburgh Avenue, Erie, PA U.S.A. 16502 · Ph. 855-663-9876, Fax 814-454-7929  
 In Canada | **Zurn Industries Limited**  
 3544 Nashua Drive, Mississauga, Ontario L4V 1L2 · Ph. 905-405-8272, Fax 905-405-1292  
[www.zurn.com](http://www.zurn.com)

Rev. -  
 Date: 4/24/2018  
 C.N. No. 139949  
 Prod. | Dwg. No. Z550-107