



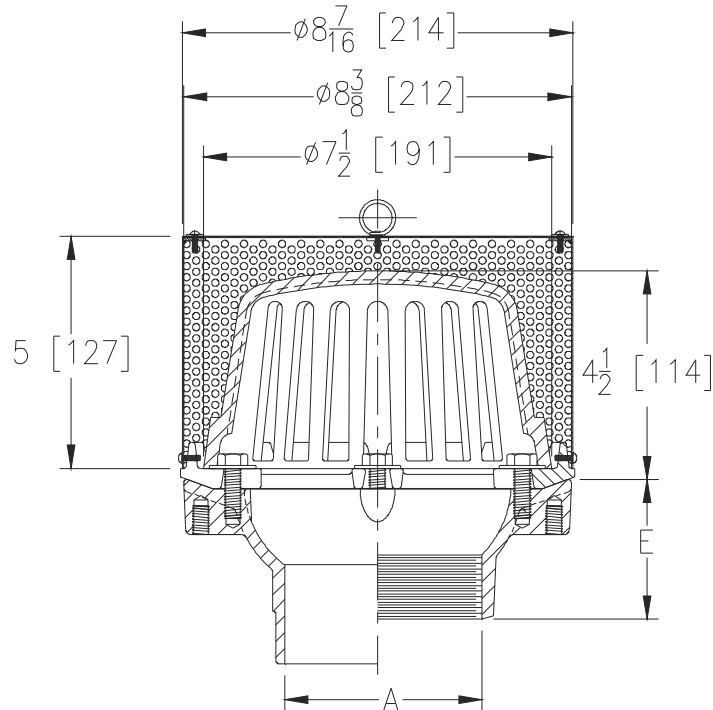
Z125-108

8-3/8 [213] DIAMETER ROOF DRAIN 5 [127] LOW SILHOUETTE DOME W/ S.S. PERFORATED EXTENSION ASSEMBLY

SPECIFICATION SHEET

TAG _____

Dimensional Data (inches and [mm]) are Subject to Manufacturing Tolerances and Change Without Notice



A Pipe Size In.	Approx. Wt. Lbs. [kg]	Dome Open Area Sq. In. [cm ²]
2-3-4[51-76-102]	14 [6]	43 [277]

ENGINEERING SPECIFICATION: ZURN Z125-108

8-3/8 [213] Diameter roof drain, Dura-Coated cast iron body with combination membrane flashing clamp/gravel guard, low silhouette Poly-Dome, and stainless steel perforated extension assembly.

OPTIONS (Check/specify appropriate options)

PIPE SIZE

2-3-4[51-76-102]
2 [51]
3 [76]
4 [102]
2-3-4[51-76-102]
2-3-4[51-76-102]

(Specify size/type) OUTLET

___ IC Inside Caulk
___ IP Threaded
___ IP Threaded
___ IP Threaded
___ NH No-Hub
___ NL Neo-Loc

'E' BODY HT. DIM.

3-7/8 [98]
2-7/16 [62]
2-3/4 [70]
3 [76]
4 [102]
3-13/16 [97]

PREFIXES

___ Z D.C.C.I. Body with Poly-Dome (4-1/4 [108] Dome Height)*
___ ZA D.C.C.I. Body with Aluminum Dome (4-1/4 [108] Dome Height)
___ ZC D.C.C.I. Body with Low Silhouette Cast Iron Dome
___ ZRB D.C.C.I. Body with Plain Bronze Dome (3-1/4 [83] Dome Height)

SUFFIXES

___ -AR Acid Resistant Epoxy Coated Finish	___ -R Roof Sump Receiver
___ -C Underdeck Clamp	___ -SC Secondary Clamping Collar
___ -DP Top-Set® Roof Deck Plate (Replaces both the -C and -R)	___ -TC Neo-Loc Test Cap Gasket (2 - 4 [51 - 102] NL Bottom Outlet Only)
___ -DR Top-Set® Drain Riser	___ -XJ Vertical Expansion Joint (See Z190)
___ -E 2 [51] High Static Extension (Specify Height)	___ -85 Stainless Steel Perforated Extension
___ -EB Top-Set® Adjustable Extension Assembly	___ -90 90° Threaded Side Outlet Body (2 - 4 [51 - 102]) (Previously Z126)
___ -FG Flush Grate (Replaces Dome Strainer)	
___ -G Galvanized Cast Iron	

REV.	DATE: 09/19/13	C.N. NO. 129957
PROD./DWG. NO. Z125-108		

*REGULARLY FURNISHED UNLESS OTHERWISE SPECIFIED

ZURN INDUSTRIES, LLC. ♦ SPECIFICATION DRAINAGE OPERATION ♦ 1801 Pittsburgh Ave. ♦ Erie, PA 16514

Phone: 814455-0921 ♦ Fax: 814454-7929 ♦ World Wide Web: www.zurn.com

In Canada: ZURN INDUSTRIES LIMITED ♦ 3544 Nashua Drive ♦ Mississauga, Ontario L4V1L2 ♦ Phone: 905405-8272 Fax: 905405-1292