



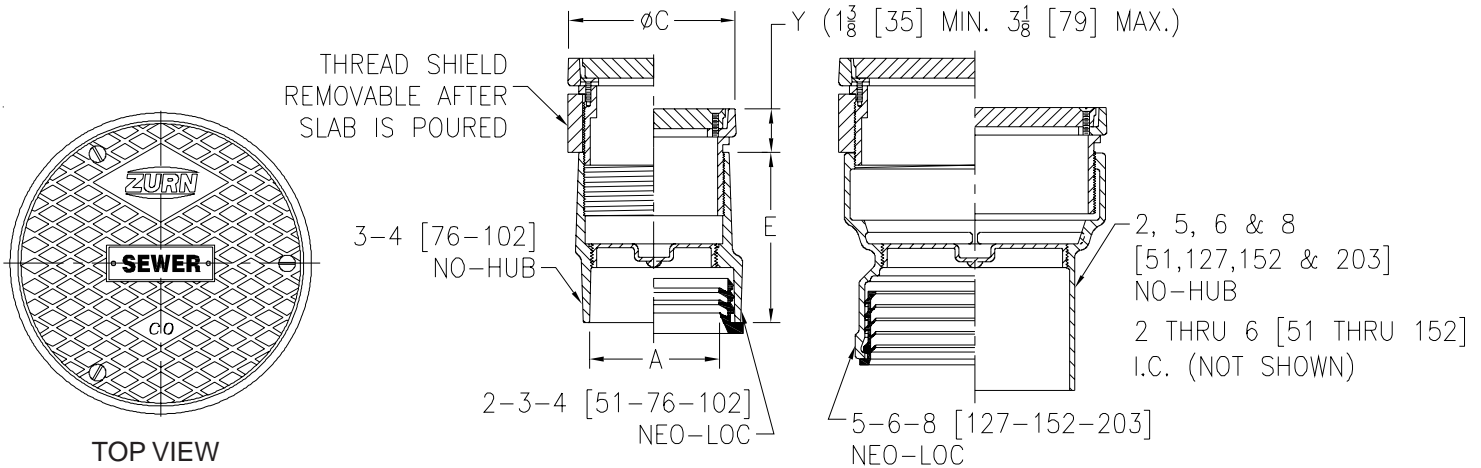
# Z1400-89

SPECIFICATION SHEET

## "LEVEL-TROL" ADJUSTABLE FLOOR CLEANOUT W/ SPECIAL STAMPED COVER

TAG \_\_\_\_\_

Dimensional Data (inches and [ mm ]) are Subject to Manufacturing Tolerances and Change Without Notice



### ENGINEERING SPECIFICATION: ZURNZ1400-89

"Level-Trol" Adjustable floor cleanout, Dura-Coated cast iron body, with gas and watertight ABS tapered thread plug, and round scoriated secured top with the word SEWER (Specify finish Z, ZB, ZN, ZS) adjustable to finished floor.

Dimensions In Inches			Approx. Wt. Lbs. [kg]
A-Pipe Size	C	E	
<b>Inside Caulk</b>			
2 [51]	6 1/8 [156]	6 7/8 [175]	14 [6]
3 [76]	6 1/8 [156]	6 7/8 [175]	14 [6]
4 [102]	7 1/4 [184]	6 7/8 [175]	18 [8]
5 [127]	8 1/4 [210]	6 7/8 [175]	23 [10]
6 [152]	9 1/4 [235]	6 7/8 [175]	32 [15]
<b>No-Hub</b>			
2 [51]	4 1/8 [105]	7 1/2 [191]	7 [3]
3 [76]	4 1/8 [105]	5 3/8 [137]	8 [4]
4 [102]	5 1/8 [130]	5 3/8 [137]	10 [5]
5 [127]	7 1/4 [184]	7 1/2 [191]	18 [8]
6 [152]	8 1/4 [210]	7 1/2 [191]	22 [10]
8 [203]	9 1/4 [235]	7 1/2 [191]	30 [14]
<b>Neo-Loc</b>			
2 [51]	4 1/8 [105]	5 3/8 [137]	8 [4]
3 [76]	5 1/8 [130]	5 3/8 [137]	11 [5]
4 [102]	5 1/8 [130]	5 3/8 [137]	12 [5]
5 [127]	7 1/4 [184]	6 1/2 [165]	19 [9]
6 [152]	8 1/4 [210]	6 1/2 [165]	22 [10]
8 [203]	9 1/4 [235]	6 1/2 [165]	24 [11]

### OPTIONS (Check/specify appropriate options)

#### PREFIXES

- \_\_\_ Z Dura Coated Cast Iron\*
- \_\_\_ ZB D.C.C.I. w/ Polished Bronze Top (Deduct 1/2 [13] from 'Y' Dim.)
- \_\_\_ ZN D.C.C.I. w/ Polished Nickel Bronze Top (Deduct 1/2 [13] from 'Y' Dim.)
- \_\_\_ ZS D.C.C.I. w/ Polished Stainless Steel Top

#### SUFFIXES

- \_\_\_ -AR Acid Resisting Epoxy Coated Finish
- \_\_\_ -BP Bronze Plug
- \_\_\_ -CF Carpet Flange Cover (ZB and ZN only)
- \_\_\_ -CM Carpet Marker
- \_\_\_ -DC Duresist Cover
- \_\_\_ -DX Round ZB or ZN Top with Dex-o-tex Flange (2 thru 4 [51 thru 102] Sizes only)
- \_\_\_ -G Galvanized Cast Iron
- \_\_\_ -HD Heavy-Duty Top (Add 1/8 [3] to 'Y' Dim.) (ZB and ZN only)
- \_\_\_ -SG Solid Gasketed Cover
- \_\_\_ -SM Special Marking Stamped on Top
- \_\_\_ -T Square Top
- \_\_\_ -TX Square Top Recessed for 1/8 [3] Tile (ZB and ZN only)
- \_\_\_ -VP Vandal-Proof Screws
- \_\_\_ -X Round Top Recessed for 1/8 [3] Tile (ZB or ZN only)
- \_\_\_ -Z Round Top Recessed for 1 1/4 [32] Terrazzo (ZB or ZN only)

### PIPE SIZE

- 2 thru 6 [51 thru 152]
- 2 thru 6-8 [51 thru 152-203]
- 2 thru 6-8 [51 thru 152-203]

### (Specify size/type) OUTLET

- \_\_\_ IC Inside Caulk
- \_\_\_ NH No-Hub
- \_\_\_ NL Neo-Loc

### 'E' BODY HT. DIM.

- See Chart
- See Chart
- See Chart

REV.      DATE: 4/21/06      C.N. NO. 95043

DWG. NO. P-15269      PRODUCT NO. Z1400-89

\*REGULARLY FURNISHED UNLESS OTHERWISE SPECIFIED

ZURN INDUSTRIES, INC. ♦ SPECIFICATION DRAINAGE OPERATION ♦ 1801 Pittsburgh Ave. ♦ Erie, PA 16514

Phone: 814455-0921 ♦ Fax: 814454-7929 ♦ World Wide Web: www.zurn.com

In Canada: ZURN INDUSTRIES LIMITED ♦ 3544 Nashua Drive ♦ Mississauga, Ontario L4V1L2 ♦ Phone: 905405-8272 Fax: 905405-1292