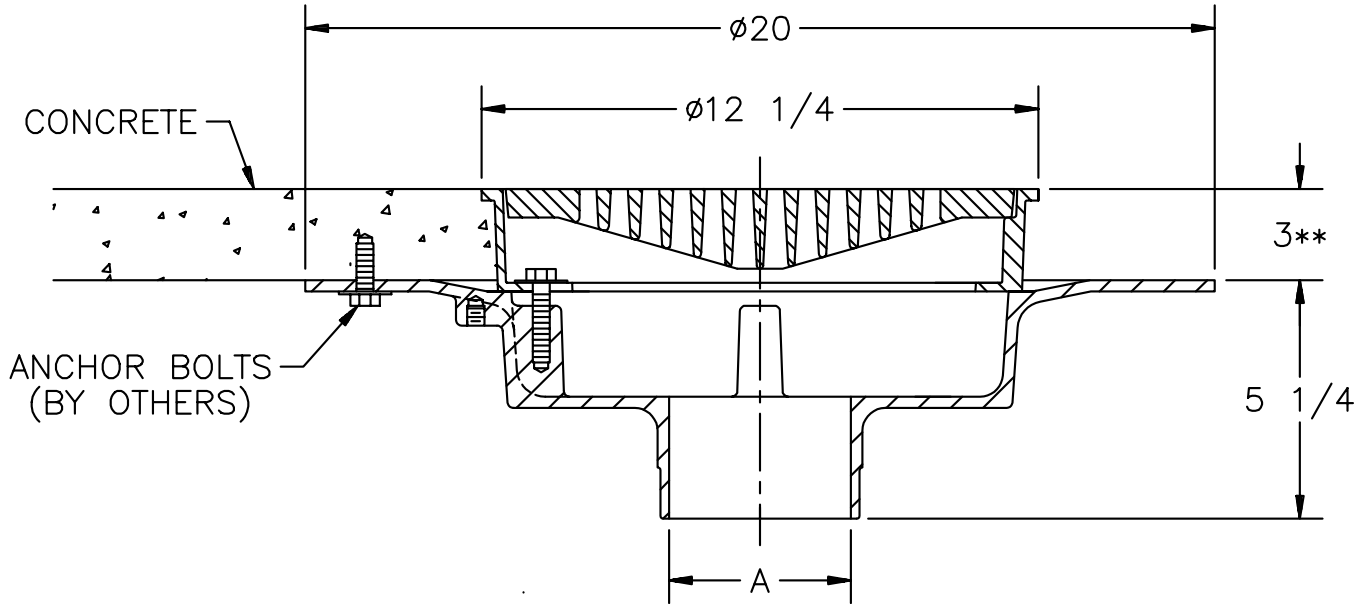




# Z-107-76 20" WIDE DECK DRAIN

TAG \_\_\_\_\_

Dimensions Subject to Manufacturing Tolerances



A- Pipe Size In.	Approx. Wt. Lbs.	Grate Open Area Sq. In.
3-4-6-8	39	29

**ENGINEERING SPECIFICATION:** ZURN Z-107-76 20" Diameter wide deck drain. Dura-Coated cast iron body with polished nickel bronze grate.

**OPTIONS** (Check/specify appropriate options)

**OUTLET**

\_\_\_\_\_ **NH** No-Hub

**PIPE SIZE** (Specify size)

\_\_\_\_\_ 3", 4", 6", 8"

**PREFIXES**

\_\_\_\_\_ **Z-** D.C.C.I. Body and Grate.

\_\_\_\_\_ **ZN-** D.C.C.I. Body and Polished Nickel Bronze Grate (Add 3/16 to 3" Dim.)\*

**SUFFIXES**

\_\_\_\_\_ **-VP** Vandal Proof Secured Top

\*\* Specify variance if necessary  
Field adjustment by rubber and cast iron spacer(s).  
Pedestrian traffic only.

REV. _____	DATE: <u>6/11/92</u>	C.N. NO. <u>68351</u>
DWG. NO. <u>P-13709</u>	PRODUCT NO. <u>Z-107-76</u>	

\*REGULARLY FURNISHED UNLESS OTHERWISE SPECIFIED