



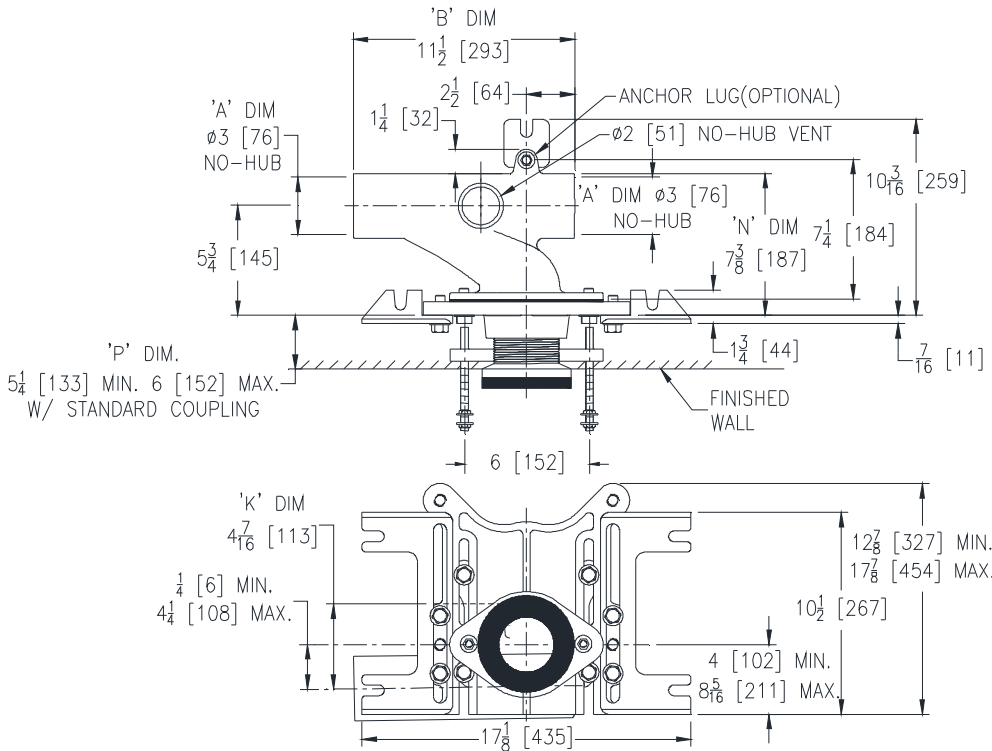
Z1201-N_3-95

EZCARRY™ ADJUSTABLE HORIZONTAL HIGH PERFORMANCE SIPHON JET NO-HUB WATER CLOSET CARRIER SYSTEM FOR LOW ROUGH-IN, WITH FLOOR MOUNTED, BACK OUTLET FIXTURE SUPPORT

SPECIFICATION SHEET

TAG _____

Dimensional Data (inches and [mm]) are Subject to Manufacturing Tolerances and Change Without Notice



Product Number	Approx. Wt. lbs [kg]
Z1201-NL3-95	45 [20]
Z1201-NR3-95	

Note:

- Z coupling, Min. 'P' Dim. Obtainable=2 [51]
ZQ coupling, Min. 'P' Dim. Obtainable=5 [127]
- Feet bolted to floor using min. 1/2 [13] dia. anchors.

Z1201-NR3-95
Illustrated

ENGINEERING SPECIFICATION: ZURN Z1201-N_3-95

EZCarry™ horizontal siphon jet water closet carrier system with high performance waterway and 3" [76mm] no-hub connections. System includes Dura-Coated cast iron main fitting with hydro-mechanically optimized sweep and extended 2" [51mm] vent, adjustable gasketed modified faceplate, universal floor mounted pre-fab slotted foot supports, heavy-duty 1/2" [13mm] rear anchor tie down, fixture bolts, trim, stud protectors, bonded "Neo-Seal" gasket, and corrosion resistant, adjustable 3" [76mm] dia. X 6" [152mm] coupling with integral test cap designed to increase flow velocity and line carry. Complete with floor mounted, back outlet fixture support.

OPTIONS (Check/specify appropriate options)

- ___ Z1201-NL3-95 3 [76] No-Hub Left Hand Inlet with Flow to Right
 ___ Z1201-NR3-95 3 [76] No-Hub Right Hand Inlet with Flow to Left

PREFIXES

- ___ Z D.C.C.I. System with Zurn ZZ Adjustable Coupling*
 ___ ZQ D.C.C.I. System with NPT Faceplate, Non-Adjustable Coupling

SUFFIXES

- | | | | |
|---------|--|------------|--|
| ___ -A | Auxiliary Support Assembly
(For 'P' Dim. Greater than 18 [457]) | ___ -CV | Closed Vent (Use only when local codes allow). |
| ___ -CC | Corrosion Resistant Cast Iron Coupling
(2-1/4 [57] to 12 [305]) | ___ -G | Galvanized Cast Iron |
| ___ -CE | EZ-Set™ Coupling (Available 6 [152], 12 [305] or longer when specified. Minimum length=5 [127]) | ___ -M | Auxiliary Foot Support
(for 'P' Dim. 10 thru 18 [254 thru 457]) |
| ___ -CL | Custom Length Standard Coupling with Integral Test Cap
(Specify Length 4, 8, 10, 12 [102, 203, 254, 305]) | ___ -RYK | Unistrut Pre-Fab Foot Support |
| ___ -CS | 2-1/4 [57] Polymer Coupling with Integral Test Cap | ___ -RYK17 | One Piece Unistrut Pre-Fab Foot |
| | | ___ -VP | Vandal-Proof Trim |
| | | ___ -45 | Finishing Frame for Siphon Jet System |
| | | ___ -50 | Flush Valve Supply Support for Water Closets |

* Regularly furnished unless otherwise specified.

Zurn Industries, LLC | Specification Drainage Operation
 1801 Pittsburgh Avenue, Erie, PA U.S.A. 16502 · Ph. 855-663-9876, Fax 814-454-7929
 In Canada | Zurn Industries Limited
 3544 Nashua Drive, Mississauga, Ontario L4V 1L2 · Ph. 905-405-8272, Fax 905-405-1292
www.zurn.com

Rev. A
 Date: 09/07/16
 C.N. No. 135158
 Prod. | Dwg. No. Z1201-N_3-95