



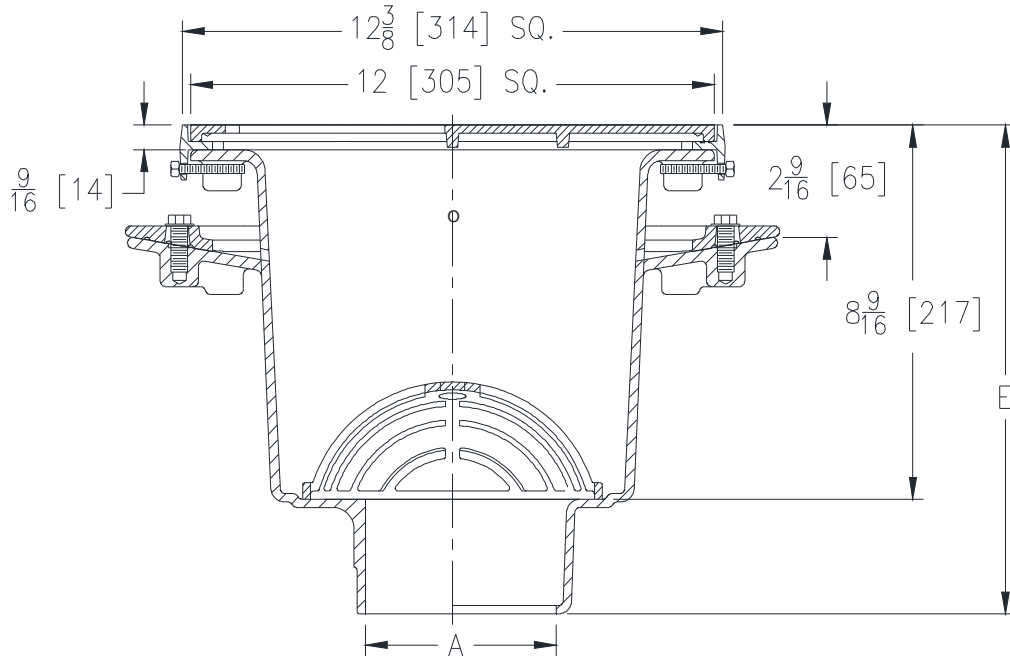
ZN1901-KC-2

12-3/8 X 12-3/8 [314 X 314] A.R.E. SANI-FLOR RECEPTOR W/
8 [203] SUMP DEPTH, NICKEL BRONZE FRAME AND
1/2 GRATE, ANCHOR FLANGE, AND CLAMP COLLAR

SPECIFICATION SHEET

TAG _____

Dimensional Data (inches and [mm]) are Subject to Manufacturing Tolerances and Change Without Notice



A - Pipe Size In. [mm]	Approx. Wt. Lbs [kg]	Grate Open Area Sq. In [cm ²]
2,3,4 [51,76,102]	42 [19]	74 [477]

ENGINEERING SPECIFICATION: ZURN ZN1901-KC-2

Sani-Flor Receptor 12-3/8" x 12-3/8" x 8" [314mm x 314mm x 203mm] deep cast iron body with white acid resisting porcelain enamel interior, black ground enamel exterior coating, with nickel bronze frame and 1/2 grate, complete with white ABS anti-splash interior bottom dome strainer, anchor flange and clamp collar

OPTIONS (Check/specify appropriate options)

PIPE SIZE

- 3, 4 [76, 102]
- 2, 3, 4 [51, 76, 102]
- 2, 3, 4 [51, 76, 102]

(Specify size/type) **OUTLET**

- ___ IC Inside Caulk
- ___ NH No-Hub
- ___ NL Neo-Loc

'E' DIMENSION

- 11-1/8 [283]
- 11-1/8 [283]
- 10-1/2 [267]

PREFIXES

- ___ ZN Cast Iron Body with White A.R.E. Interior, 12-3/8 [314] Square Nickel Bronze Frame and 1/2 Grate with 1/2 [13] Square Openings.*

SUFFIXES

- | | |
|--|--|
| ___ -DX Dex-O-Tex Flange | ___ -8 Grate w/ 8-7/8 x 3-5/8 x 3-3/4 [225 x 92 x 95] High Oval Funnel |
| ___ -HP Heel-Proof Grate | ___ -11 Vandal-Proof Secured Top |
| ___ -LD Less Bottom Dome Strainer | ___ -23 Aluminum Bucket |
| ___ -P 1/2 [13] Trap Primer Connection (See Z1023) | ___ -25 White A.R.C. Bucket |
| ___ -SA Stabilizer Assembly (See Z1903) | ___ -31 Stainless Steel Mesh Liner for Bucket |
| ___ -TC Neo-Loc Test Cap Gasket | ___ -32 Aluminum Dome Strainer |
| (2, 3, 4 [51, 76, 102] NL Bottom Outlet Only) | ___ -33 White A.R.C. Anti-Splash Bottom Dome Strainer |
| ___ -VPS Vandal-Proof Strainer | |
| ___ -6 Grate w/ 6 [152] Diameter x 6 [152] High Funnel | |

* Regularly furnished unless otherwise specified.