



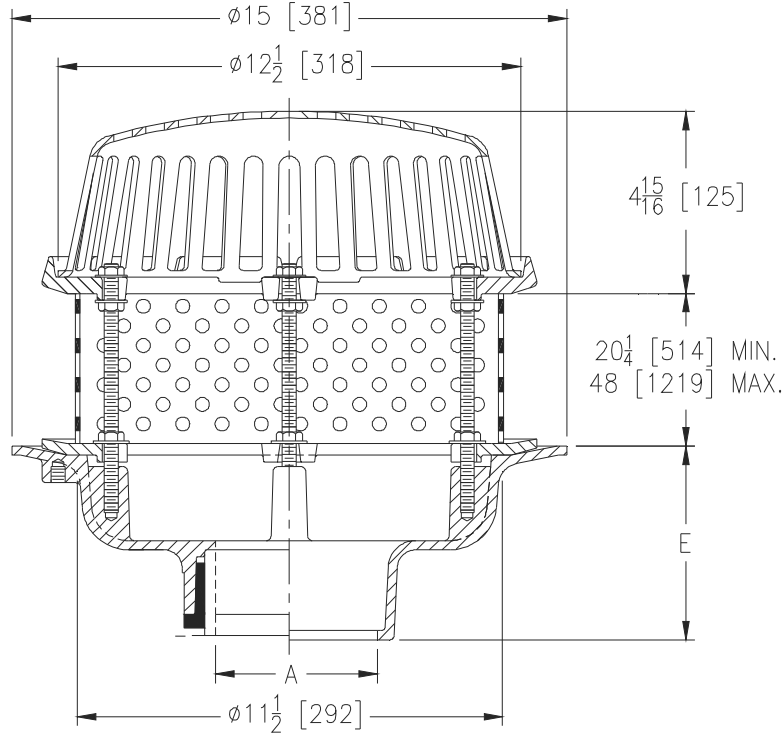
# Z100-271

15 [381] DIAMETER MAIN ROOF DRAIN W/ STAINLESS  
STEEL PERFORATED EXTENSION GREATER THAN 20 [508]

SPECIFICATION SHEET

TAG \_\_\_\_\_

Dimensional Data (inches and [mm]) are Subject to Manufacturing Tolerances and Change Without Notice



A Pipe Size In.	Approx. Wt. Lbs. [kg]	Dome Open Area Sq. In. [cm <sup>2</sup> ]
2-3-4 [51-76-102]	28 [13]	103 [665]
5-6 [127-153]	29 [13]	
8 [203]	30 [14]	

**ENGINEERING SPECIFICATION: ZURN Z100-271**

15 [381] Diameter roof drain. Dura-Coated cast iron body with combination membrane flashing clamp/gravel guard, perforated extension and low silhouette Poly-Dome strainer. Perforated extension shall be made of 14 GA. Stainless Steel.

**OPTIONS** (Check/specify appropriate options)

**PIPE SIZE**

- 2 thru 6, 8 [51 thru 153, 203]
- 2 thru 6, 8 [51 thru 153, 203]
- 2 thru 6, 8 [51 thru 153, 203]
- 2,3,4 [52, 76, 102]

(Specify size/type) **OUTLET**

- \_\_\_\_\_ IC Inside Caulk
- \_\_\_\_\_ IP Threaded
- \_\_\_\_\_ NH No-Hub
- \_\_\_\_\_ NL Neo-Loc

**E BODY HT. DIM.**

- 5-1/4 [133]
- 3-3/4 [95]
- 5-1/4 [133]
- 4-5/8 [117]

**PREFIXES**

- \_\_\_\_\_ Z D.C.C.I. Body with Poly-Dome\*
- \_\_\_\_\_ ZA D.C.C.I. Body with 6-3/4 [171] High Aluminum Dome
- \_\_\_\_\_ ZC D.C.C.I. Body with Cast Iron Dome
- \_\_\_\_\_ ZRB D.C.C.I. Body with Plain Bronze Dome

**SUFFIXES**

- \_\_\_\_\_ -AC Angular Underdeck Clamp
- \_\_\_\_\_ -AR Acid Resistant Epoxy Coated
- \_\_\_\_\_ -BS Bronze Mesh Screen Over Dome
- \_\_\_\_\_ -C Underdeck Clamp
- \_\_\_\_\_ -DR Top-Set® Roof Deck Plate
- \_\_\_\_\_ -E Static Extension 1 [25] thru 4 [102] (Specify Ht.)
- \_\_\_\_\_ -EA Adjustable Extension Assembly  
1-3/4 [44] thru 3-1/2 [89]
- \_\_\_\_\_ -FG Flush Grate (Replaces Dome Strainer)
- \_\_\_\_\_ -G Galvanized Cast Iron
- \_\_\_\_\_ -GD Galvanized Cast Iron Dome (ZC only)
- \_\_\_\_\_ -HD 6-3/4 [171] High Aluminum Dome  
(148 sq. in. [955 cm<sup>2</sup>] open area)
- \_\_\_\_\_ -R Roof Sump Receiver
- \_\_\_\_\_ -SS Stainless Steel Mesh Screen Over Dome
- \_\_\_\_\_ -VP Vandal-Proof Secured Top
- \_\_\_\_\_ -XJ Vertical Expansion Joint (See Z190)
- \_\_\_\_\_ -90 90° Threaded Side Outlet Body  
(2 [51] thru 6 [153])

REV.	DATE: 07/09/13	C.N. NO. 129597
PROD./DWG. NO. Z100-271		

\*REGULARLY FURNISHED UNLESS OTHERWISE SPECIFIED