



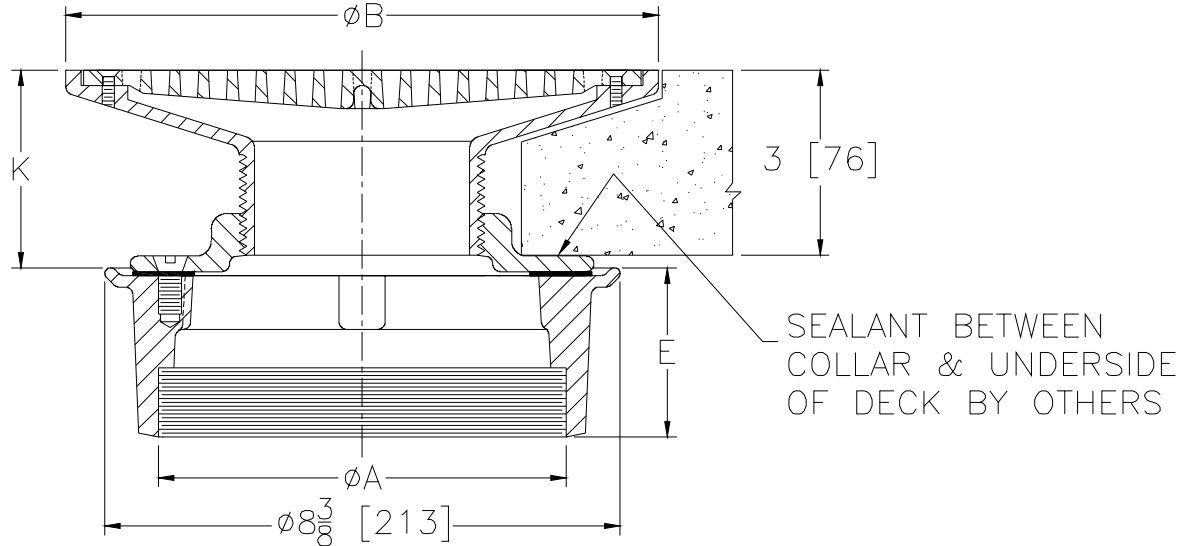
Z415B-88

BODY ASSEMBLY W/ 10 [254] DIAMETER "TYPE B" STRAINER

SPECIFICATION SHEET

TAG _____

Dimensional Data (inches and [mm]) are Subject to Manufacturing Tolerances and Change Without Notice



Dimensions In Inches				Approx. Wt. Lbs. [kg]	Strainer Open Area Sq. In. [cm ²]
A - Pipe Size	B Strainer Dia.	K			
		Min.	Max.		
6 [152]	10 [254]	2 5/8 [67]	3 1/2 [89]	22 [10]	26 [168]

ENGINEERING SPECIFICATION: ZURN ZN415B-88 Floor and shower drain, Dura-Coated cast iron body with IP threaded bottom outlet, gasketed combination invertible membrane clamp and adjustable collar with "TYPE B" polished nickel bronze strainer.

OPTIONS (Check/specify appropriate options)

PIPE SIZE
6 [152]

OUTLET
_____ IP Threaded

'E' BODY HT. DIM.
2 3/4 [70]

PREFIXES

- _____ ZB D.C.C.I. Body Assembly w/Polished Bronze Top
- _____ ZN D.C.C.I. Body Assembly w/Polished Nickel Bronze Top*
- _____ ZS D.C.C.I. Body Assembly w/6 [152] Dia. Stainless Steel Top

SUFFIXES

- _____ -AR Acid Resisting Epoxy Coated Cast Iron
- _____ -G Galvanized Cast Iron
- _____ -HD Heavy-Duty Grate
- _____ -VP Vandal-Proof Secured Top

REV. A	DATE: 02/25/04	C.N. NO. 91972
DWG. NO. P-14365	PRODUCT NO. Z415B-88	

*REGULARLY FURNISHED UNLESS OTHERWISE SPECIFIED