

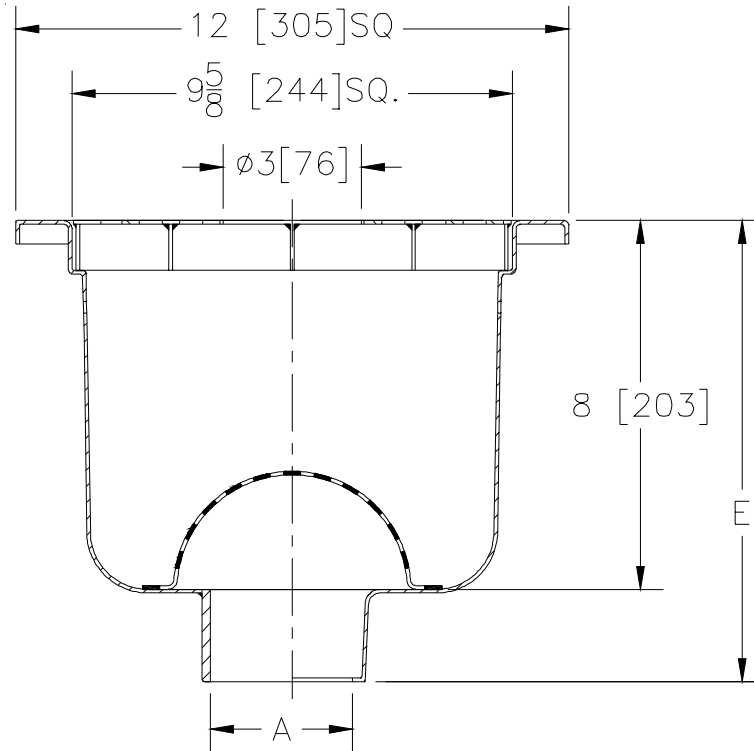


Z1751-133

12" X 12" SANI-FLOR RECEPTOR 8" SUMP DEPTH W/ 3" DIA. OPENING IN GRATE

TAG _____

Dimensional Data (inches and [mm]) are Subject to Manufacturing Tolerances and Change Without Notice



A- Pipe Size In.	Approx. Wt. Lbs. [kg]	Grate Open Area Sq. In. [cm ²]
2-3-4 [50-75-100]	19 [9]	23 [148]

ENGINEERING SPECIFICATION: ZURN Z1751-133
 12 x 12 x 8 [305 x 305 x 203] deep, 14 gage, All Type 304 (CF8) Stainless Steel light duty Sani-Flor receptor with non-tilt, loose set full grate with 3" dia. opening and anti-splash interior dome strainer.

OPTIONS (Check/specify appropriate options)

PIPE SIZE

- 2 thru 4 [50 thru 100]
- 2 [50]
- 3 [75]
- 4 [100]
- 2 thru 4 [50 thru 100]
- 2 thru 4 [50 thru 100]

(Specify size/type) **OUTLET**

- ___ IC Inside Caulk
- ___ IP Threaded
- ___ IP Threaded
- ___ IP Threaded
- ___ NH No-Hub
- ___ NL Neo-Loc

'E' BODY HT. DIM.

- 10 9/16 [268]
- 9 5/16 [237]
- 9 9/16 [243]
- 10 1/16 [256]
- 10 1/16 [256]
- 9 13/16 [249]

PREFIXES

- ___ Z Type 304 (CF8) Stainless Steel Body*
- ___ ZM Type 316 (CF8M) Stainless Steel

SUFFIXES

- ___ -DX Dex-o-tex Flange
- ___ -HD Extra Heavy Duty Top Frame & Grate
- ___ -IP Female Threaded Outlet
- ___ -K Seepage Pan
- ___ -KC Seepage Pan With Clamp Collar
- ___ -P 1/2 Trap Primer Connection
- ___ -VP Vandal Proof Secured Top
- ___ -Y Sediment Bucket
- ___ -YS Suspended Sediment Bucket
- ___ -1 (Less) Grate
- ___ -15 Solid Cover
- ___ -16 1/2 Solid Cover
- ___ -17 3/4 Solid Cover
- ___ -18 Solid Cover With 3 [76] Square Center Opening

*REGULARLY FURNISHED UNLESS OTHERWISE SPECIFIED

REV.	DATE: 1/27/03	C.N. NO. 90203
DWG. NO. P-14963 PRODUCT NO. Z-1751-133		