



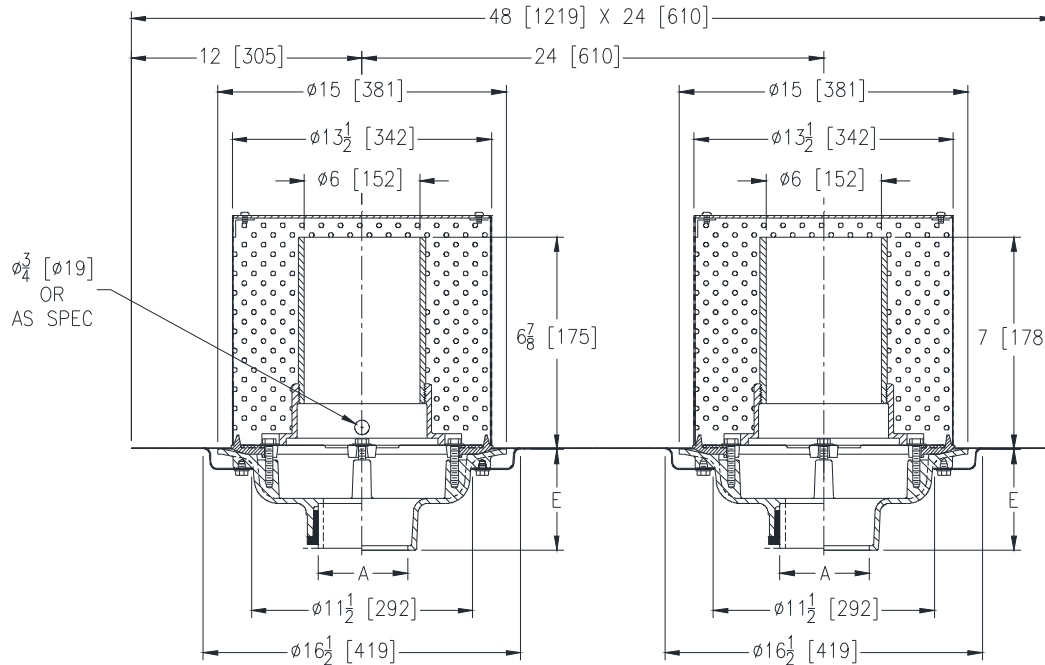
# Z163-97

## 15 [381] COMBINATION CONTROL-FLO ROOF DRAIN AND OVERFLOW DRAIN, DOUBLE TOP-SET DECK PLATE AND STAINLESS STEEL PERFORATED GRAVEL GUARD

SPECIFICATION SHEET

TAG \_\_\_\_\_

Dimensional Data (inches and [ mm ]) are Subject to Manufacturing Tolerances and Change Without Notice



A - Pipe Size In. [mm]	Approx. Wt. Lbs. [kg]	Dome Open Area Sq. In. [cm <sup>2</sup> ]
3 [76]	90 [41]	103 [665]

### ENGINEERING SPECIFICATION: ZURN Z163-97

15" [381mm] Diameter combination control-flo roof drain for dead-level roof construction and secondary overflow drain, Dura-Coated cast iron bodies with combination membrane flashing clamp/gravel guards, and double Top-Set® deck plate, gasketed flow control water dam with 3/4" [19mm] diameter hold on primary drain, and 6" [914mm] standpipes.

### OPTIONS (Check/specify appropriate options)

#### PIPE SIZE

2,3,4,5,6,8 [51,76,102,127,152,203]  
 2,3,4,5,6,8 [51,76,102,127,152,203]  
 2,3,4,5,6,8 [51,76,102,127,152,203]  
 2,3,4 [51,76,102]  
 6 [152]

#### (Specify size/type) OUTLET

\_\_\_\_\_ IC Inside Caulk  
 \_\_\_\_\_ IP Threaded  
 \_\_\_\_\_ NH No-Hub  
 \_\_\_\_\_ NL Neo-Loc  
 \_\_\_\_\_ NL Neo-Loc

#### E BODY HT. DIM.

5-1/4 [133]  
 3-3/4 [95]  
 5-1/4 [133]  
 4-9/16 [116]  
 5-7/16 [112]

#### PREFIXES

\_\_\_\_\_ Z D.C.C.I. Body with Poly-Dome\*  
 \_\_\_\_\_ ZA D.C.C.I. Body with 6 3/4 [171] High Aluminum Dome  
 \_\_\_\_\_ ZC D.C.C.I. Body with Cast Iron Dome  
 \_\_\_\_\_ ZRB D.C.C.I. Body with Plain Bronze Dome

#### SUFFIXES

\_\_\_\_\_ -AR Acid Resistant Epoxy Coated Finish  
 \_\_\_\_\_ -DR Top-Set® Drain Riser  
 \_\_\_\_\_ -E Static Extension 1 thru 4 [25 thru 102] (Specify Ht.)  
 \_\_\_\_\_ -EA Adjustable Extension Assembly 1 3/4 thru 3 1/2 [44 thru 89]  
 \_\_\_\_\_ -ES Static Extension with Secondary Clamp  
 \_\_\_\_\_ -G Galvanized Cast Iron  
 \_\_\_\_\_ -SC Secondary Clamping Collar  
 \_\_\_\_\_ -TC Neo-Loc Test Cap Gasket (2-4 [51-102] NL Bottom Outlet Only)  
 \_\_\_\_\_ -VP Vandal Proof Secured Top  
 \_\_\_\_\_ -XJ Vertical Expansion Joint (See Z190)

\* Regularly furnished unless otherwise specified.