



# Z415BZ-PC

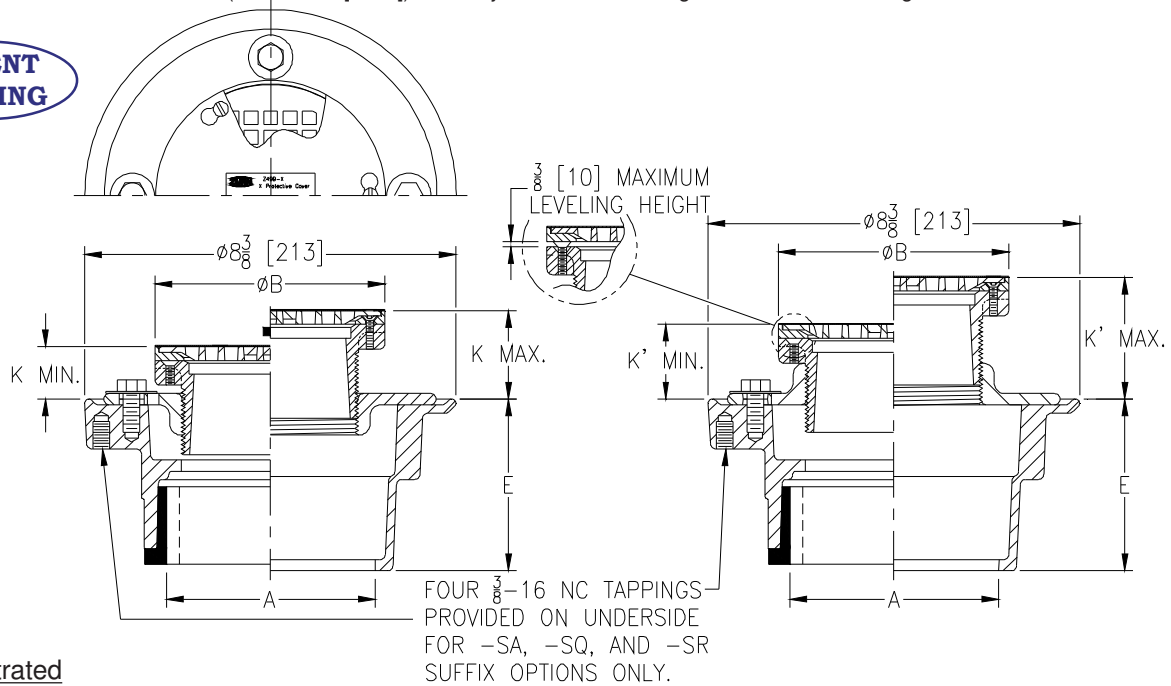
## BODY ASSEMBLY W/ "TYPE BZ" LEVELING STRAINER & PROTECTIVE COVER

SPECIFICATION SHEET

TAG \_\_\_\_\_

Dimensional Data (inches and [ mm ]) are Subject to Manufacturing Tolerances and Change Without Notice

**PATENT  
PENDING**



5" Top Illustrated

Dimensions in Inches [mm]						Approx. Wt. Lbs. [kg]	Strainer Open Area (After Removal of Protective Cover) Sq. In. [cm <sup>2</sup> ]
A Pipe Size	B Dia.	K		K'			
		Min.	Max.	Min.	Max.		
2,3 [51,76]	5-3/16 [132]	1-1/16 [27]	2-1/16 [52]	1-9/16 [40]	2-13/16 [71]	11 [5]	8 [52]
2,3,4 [51,76,102]	6-1/4 [159]	1-3/8 [35]	2-7/32 [56]	1-3/4 [44]	2-15/16 [75]	13 [6]	9 [58]

### ENGINEERING SPECIFICATION: ZURN ZN415BZ-PC

Floor and shower drain, Dura-Coated cast iron body with bottom outlet, combination invertible membrane clamp, adjustable collar with seepage slots and "TYPE BZ" polished nickel bronze, light-duty, leveling strainer with galvanized steel construction protective cover.

### OPTIONS (Check/specify appropriate options)

#### PIPE SIZE

2, 3, 4 [51, 76, 102]  
2, 3, 4 [51, 76, 102]  
2 [51]  
3 [76]  
4 [102]  
2, 3, 4 [51, 76, 102]  
2, 3, 4 [51, 76, 102]

#### (Specify size/type) OUTLET

\_\_\_\_\_ IC Inside Caulk  
\_\_\_\_\_ IG Inside Gasket  
\_\_\_\_\_ IP Threaded  
\_\_\_\_\_ IP Threaded  
\_\_\_\_\_ IP Threaded  
\_\_\_\_\_ NH No-Hub  
\_\_\_\_\_ NL Neo-Loc

#### 'E' BODY HT. DIM.

3-7/8 [98]  
3-7/8 [98]  
2-3/8 [60]  
2-5/8 [67]  
2-7/8 [73]  
3-7/8 [98]  
3-3/4 [95]

#### PREFIXES

\_\_\_ ZB D.C.C.I. Body Assembly w/ Polished Bronze Top  
\_\_\_ ZN D.C.C.I. Body Assembly w/ Polished Nickel Bronze Top\*

#### SUFFIXES

\_\_\_ -AA All Acid Resisting Epoxy  
\_\_\_ -AR Acid Resisting Epoxy Coated Cast Iron  
\_\_\_ -CP Chrome-Plated Bronze Top  
\_\_\_ -DP Decorative Polished Top  
\_\_\_ -G Galvanized Cast Iron  
\_\_\_ -OF Oval Funnel (Z329-7) (6 [152] Strainer Only)  
\_\_\_ -P Trap Primer Connection (Specify 1/2 [13] or 3/4 [19])  
\_\_\_ -SA Stabilizer Assembly for Sub-Floor Install  
\_\_\_ -SQ Stabilizer Assembly for Steel Decking Install

\_\_\_ -SR Stabilizer Ring Assembly for On-Grade Install  
\_\_\_ -TC Neo-Loc Test Cap Gasket (2,3,4 [51,76,102] NL Outlet Only)  
\_\_\_ -U 1-3 [25-76] High Extension Adapter  
\_\_\_ -V Backwater Valve (Not available with -Y)  
\_\_\_ -VP Vandal-Proof Secured Top  
\_\_\_ -Y Sediment Bucket (Not available with -V)  
\_\_\_ -4 4 [102] Diameter Funnel (Z328)  
\_\_\_ -90 90° Threaded Side Outlet Body Assembly (2 [51], 3 [76] Only)

\* Regularly furnished unless otherwise specified.