



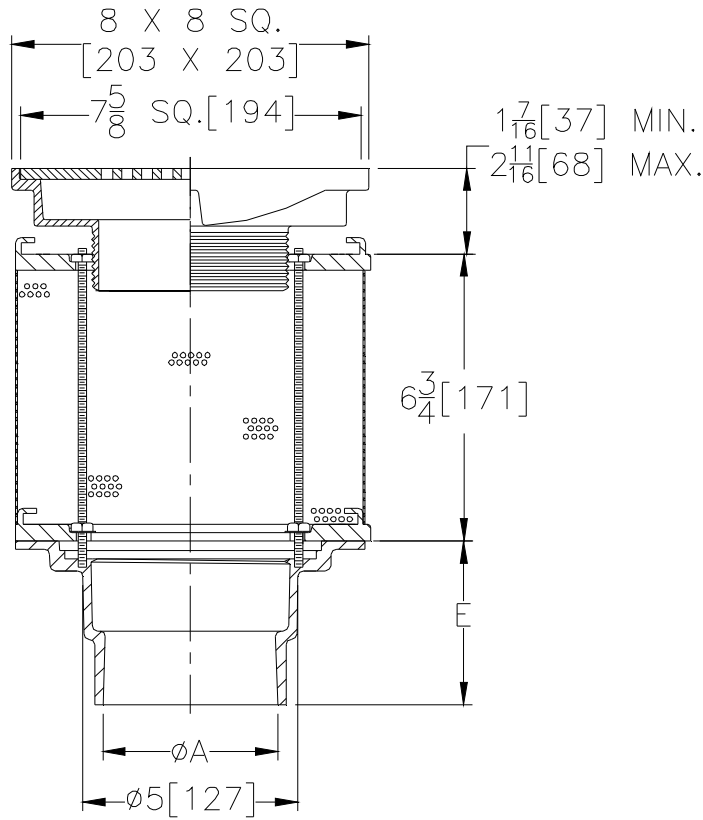
# Z135-6-T

SPECIFICATION SHEET

## 8 [203] SQ. MAIN ROOF DRAIN FOR CONVENTIONAL INVERTED PROMENADE DECK ROOF TAG \_\_\_\_\_



Dimensional Data (inches and [mm]) are Subject to Manufacturing Tolerances and Change Without Notice



A Pipe Size Inches / [mm]	Approx. Wt. Lbs. / [kg]	Grate Open Area Sq. In. / [sq cm]
2 - 3 - 4 [51 - 76 - 102]	15 [6.8]	26 [168]
6 [152]	17 [7.7]	

### ENGINEERING SPECIFICATION: ZURN Z135-6-T

8 [203] square drain for conventional inverted promenade deck roof. Dura-Coated cast iron body, adjustable head, square grate, cast iron strainer collar and flashing clamp collar. Stainless steel drainage extension and hardware.

### OPTIONS (Check/specify appropriate options)

#### PIPE SIZE

2,3,4 [51,76,102]  
6 [152]

#### (Specify size/type) OUTLET

\_\_\_\_ NH No-Hub  
\_\_\_\_ IP Threaded

#### E BODY HT. DIM.

3-1/4 [83]  
2-5/8 [67]

#### PREFIXES

\_\_\_\_ Z D.C.C.I. Body with C. I. Strainer  
\_\_\_\_ ZN D.C.C.I. Body with Polished Nickel Bronze Grate

#### SUFFIXES

\_\_\_\_ -A Waterproof Flange  
\_\_\_\_ -C Underdeck Clamp  
\_\_\_\_ -G Galvanized Cast Iron  
\_\_\_\_ -R Roof Sump Receiver  
\_\_\_\_ -Y Sediment Bucket  
\_\_\_\_ -6NH 6 [152] No-Hub Outlet (6IP w/Z1040)

REV. A DATE: 07/10/12 C.N. NO. 124536

DWG. NO. 309960 PRODUCT NO. Z135-6-T

\*REGULARLY FURNISHED UNLESS OTHERWISE SPECIFIED