



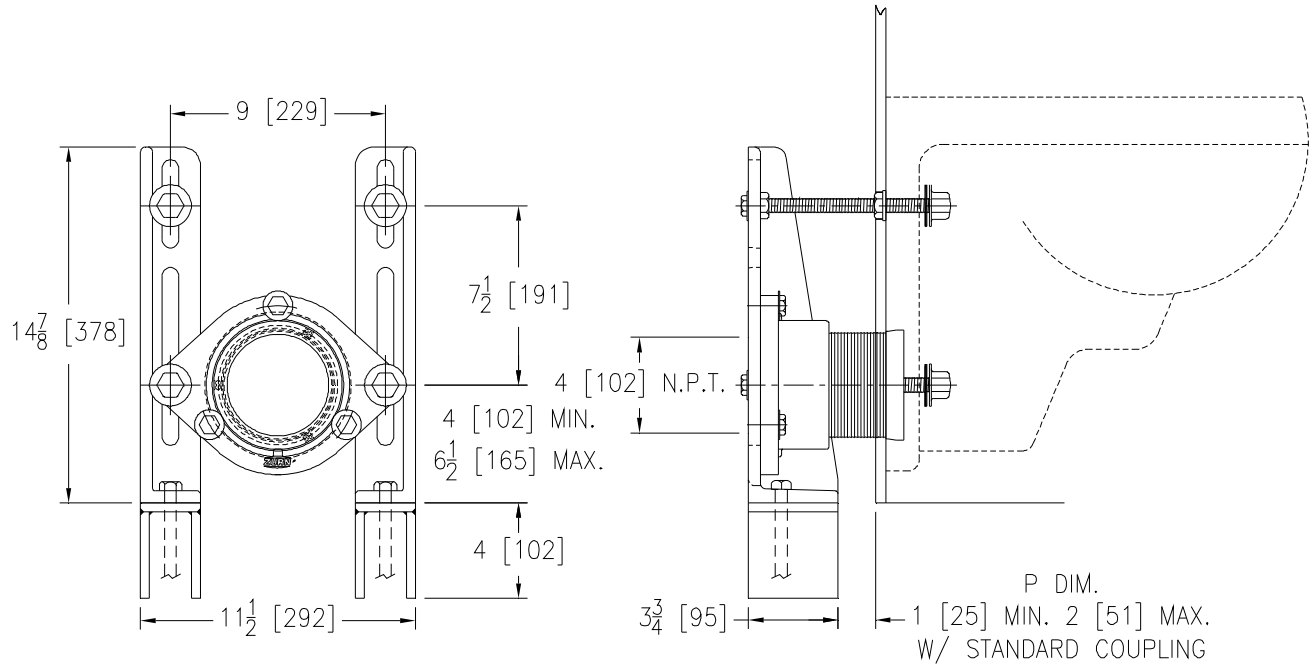
# Z1212-X4

## WALL CLOSET SUPPORT SYSTEM WITH 4 [102] INCH HIGH FOOT EXTENSION

SPECIFICATION SHEET

TAG \_\_\_\_\_

Dimensional Data (inches and [ mm ]) are Subject to Manufacturing Tolerances and Change Without Notice



Product No.	Approx. Wt. Lbs. [kg]
Z1212-X4	30 [14]

### ENGINEERING SPECIFICATION: ZURN Z1212-X4

Dura-Coated cast iron wall closet support system complete with adjustable face plate rigidly mounted on reversible foot supports, ABS coupling with integral test cap, fixture bolts, trim, stud protectors and bonded "Neo-Seal" gasket along with 4" [102mm] inch high foot extension assembly.

**OPTIONS** (Check/specify appropriate options)

### PREFIXES

\_\_\_ Z D.C.C.I. System with Zurn "ZZ" Coupling Connection

### SUFFIXES

- \_\_\_ -B Adapter for Blowout Type Fixture Support
- \_\_\_ -CL Coupling Length Other than Standard 6 [152] (Specify Length Required)
- \_\_\_ -F Floor Mount, Back Outlet Fixture Support
- \_\_\_ -VP Vandal-Proof Finish Trim
- \_\_\_ -45 Finishing Frame for Siphon Jet Closet (See Z1200-FINFRAME-SJ)

\* Regularly furnished unless otherwise specified.

Zurn Industries, LLC | Specification Drainage Operation  
1801 Pittsburgh Avenue, Erie, PA U.S.A. 16502 · Ph. 855-663-9876, Fax 814-454-7929  
In Canada | Zurn Industries Limited  
3544 Nashua Drive, Mississauga, Ontario L4V 1L2 · Ph. 905-405-8272, Fax 905-405-1292  
[www.zurn.com](http://www.zurn.com)

Rev. A  
Date: 10/17/17  
C.N. No. 138919  
Prod. | Dwg. No. Z1212-X4