



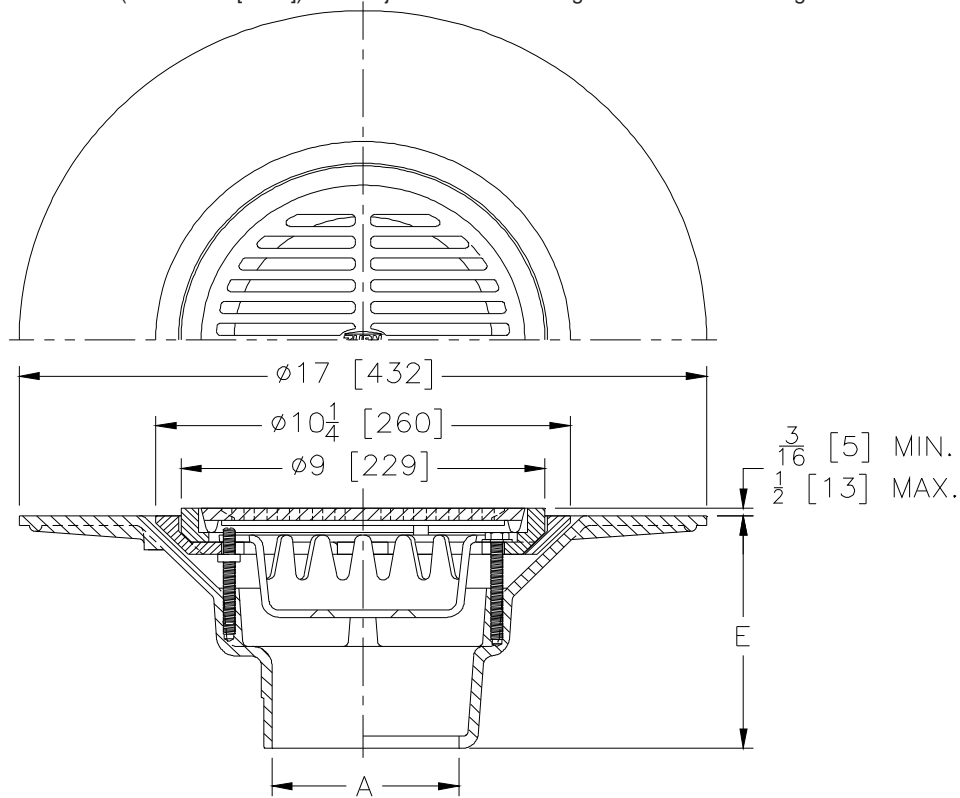
Z531-Y

9 [229] DIAMETER ADJUSTABLE FRAME WIDE FLANGE DECK DRAIN W/ SEDIMENT BUCKET

SPECIFICATION SHEET

TAG _____

Dimensional Data (inches and [mm]) are Subject to Manufacturing Tolerances and Change Without Notice



A- Pipe Size In. [mm]	Approx. Wt. Lbs. [kg]	Grate Open Area Sq. In. [cm ²]
2,3,4 [51,76,102]	54 [24]	16 [103]

ENGINEERING SPECIFICATION: ZURN Z531-Y

9" [229mm] Diameter adjustable frame wide flange deck drain, Dura-Coated cast iron body with 10-1/4" [260mm] diameter latex troweling flange and combination adjustable latex troweling-edge-form, membrane flashing clamp with flat grate and sediment bucket.

OPTIONS (Check/specify appropriate options)

PIPE SIZE

2,3,4 [51,76,102]
2,3,4 [51,76,102]
2,3,4 [51,76,102]
2,3,4 [51,76,102]

(Specify size/type) OUTLET

___ IC Inside Caulk
___ IP Threaded
___ NH No-Hub
___ NL Neo-Loc

'E' BODY HT. DIM.

6 [152]
4-1/2 [114]
6 [152]
5-3/8 [136]

PREFIXES

___ Z D.C.C.I. Body and Top*
___ ZN D.C.C.I. Body with Polished Nickel Bronze Top

SUFFIXES

___ -C Clamp Collar
___ -DG Duresist Grate
___ -G Galvanized Cast Iron
___ -S Secondary Strainer
___ -TC Neo-Loc Test Cap Gasket
(2,3,4 [51,76,102] NL Bottom Outlet Only)
___ -TS Top Secured with Slotted Screws
___ -VP Vandal-Proof Secured Top

* Regularly furnished unless otherwise specified.

Zurn Industries, LLC | Specification Drainage Operation
1801 Pittsburgh Avenue, Erie, PA U.S.A. 16502 · Ph. 855-663-9876, Fax 814-454-7929
In Canada | Zurn Industries Limited
3544 Nashua Drive, Mississauga, Ontario L4V 1L2 · Ph. 905-405-8272, Fax 905-405-1292
www.zurn.com

Rev. B
Date: 10/06/2017
C.N. No. 138504
Prod. | Dwg. No. Z531-Y