



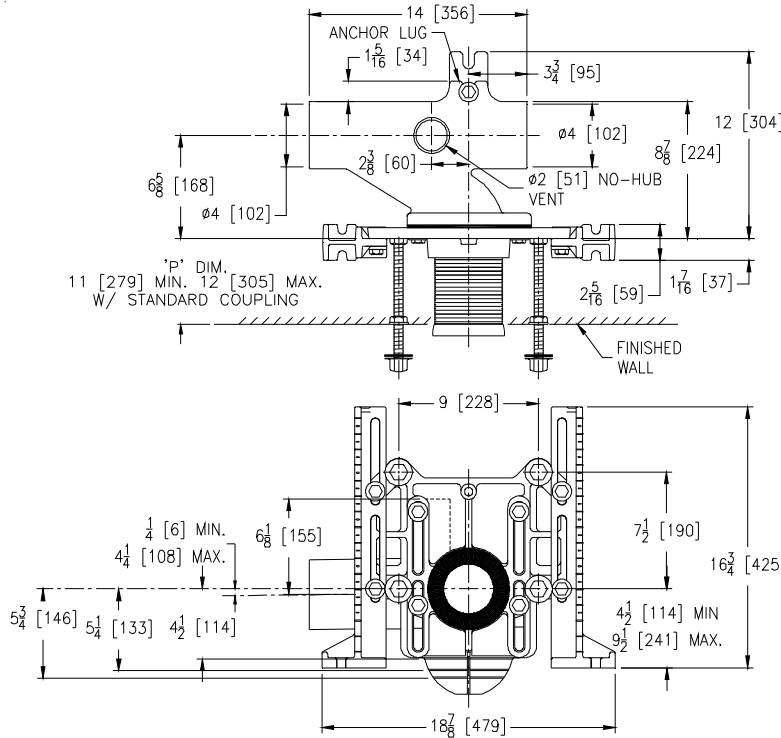
# Z1203-130

## ADJUSTABLE HORIZONTAL SIPHON JET NO-HUB WATER CLOSET CARRIER W/ 12 [305] COUPLING

SPECIFICATION SHEET

TAG \_\_\_\_\_

Dimensional Data (inches and [ mm ]) are Subject to Manufacturing Tolerances and Change Without Notice



Product Number	Approx. Wt. Lbs. [kg]
Z1203-NL4-130	67 [30]
Z1203-NR4-130	

### Note:

1. Min. 'P' Dim. Obtainable=2 [51]
2. Feet bolted to floor using min. 1/2 [13] dia. bolts and back slots on carrier feet.
3. Back anchor foot required for secure installation.

### ENGINEERING SPECIFICATION: ZURN Z1203-130()

Adjustable, horizontal siphon jet water closet "Rigid System" with 4 [102] No-Hub connections. Complete with Dura-Coated cast iron right hand, left hand, or double main fitting, with 2 [51] vent, adjustable gasketed faceplate, universal floor mounted foot supports, 12 [305] corrosion resistant adjustable ABS coupling with integral test cap, fixture bolts, trim, and stud protectors. Rear anchor tie down and bonded "Neo-Seal" gasket.

### OPTIONS (Check/specify appropriate options)

- Z1203-NR4-130 4 [102] No-Hub Right Hand Inlet with Flow to Left
- Z1203-NL4-130 4 [102] No-Hub Left Hand Inlet with Flow to Right

### PREFIXES

- \_\_\_ Z D.C.C.I. System with Zurn "ZZ" Adjustable Coupling\*
- \_\_\_ ZC D.C.C.I. System with Compression Fit Faceplate
- \_\_\_ ZF D.C.C.I. System with Non-Adjustable One Piece Carrier
- \_\_\_ ZQ D.C.C.I. System with NPT Faceplate, Non-Adjustable Coupling

### SUFFIXES

- \_\_\_ -A Auxiliary Support Assembly (For "P" Dim. Greater than 18 [457])
- \_\_\_ -B Blowout Type Fixture Support
- \_\_\_ -BC Back Cleanout
- \_\_\_ -BE Barrel Extender (Up to 26 [660], Overall length of 40 [1016])
- \_\_\_ -CC Corrosion Resistant Cast Iron Coupling (6 [151] to 12 [305])
- \_\_\_ -CV Closed Vent (Use only when local codes allow)
- \_\_\_ -G Galvanized Cast Iron
- \_\_\_ -JC 2 Inch Auxiliary Inlet with Sanitary Sweep on Faceplate Centerline
- \_\_\_ -M **Auxiliary Foot Support** (Recommended for 'P' Dim. 10 [254] - 18 [457])
- \_\_\_ -PF Pre-Fab Foot
- \_\_\_ -PS Pre-Fab Slotted Foot
- \_\_\_ -RYK Unistrut Pre-Fab Foot
- \_\_\_ -T Threaded Connection
- \_\_\_ -VP Vandal-Proof Trim
- \_\_\_ -X3 3 [76] Carrier Foot Extension Assembly
- \_\_\_ -X4 4 [102] Carrier Foot Extension Assembly
- \_\_\_ -29 Mechanical Test Cap Assembly
- \_\_\_ -45 Finishing Frame for Siphon Jet System (for Blowout System specify -45-B)
- \_\_\_ -50 Flush Valve Supply Support for Water Closets
- \_\_\_ -61 "ZZ" Coupling Wrench

\* Regularly furnished unless otherwise specified.