



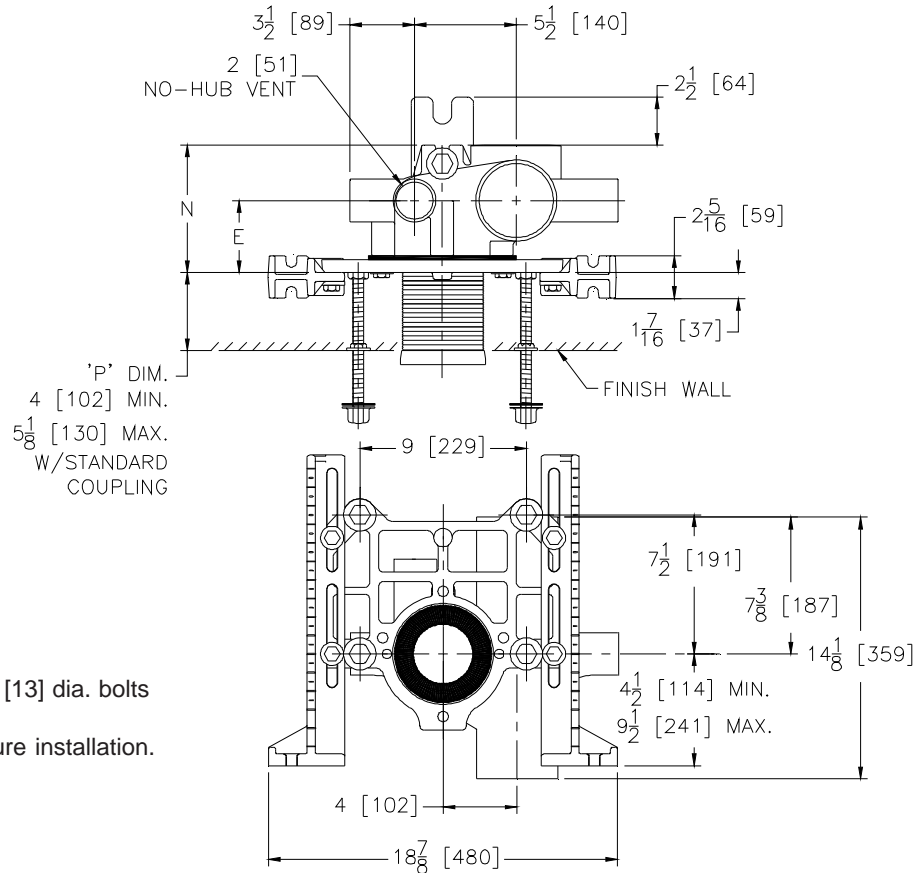
Z1209-89

VERTICAL OFFSET SIPHON JET WATER CLOSET SUPPORT SYSTEM WITH SHORTENED FITTING

SPECIFICATION SHEET

TAG _____

Dimensional Data (inches and [mm]) are Subject to Manufacturing Tolerances and Change Without Notice



Note:

1. Min. 'P' Dim. Obtainable=2 [51]
2. Feet bolted to floor using min. 1/2 [13] dia. bolts and back slots on carrier feet.
3. Back anchor foot required for secure installation.

Product No.	Dimension In Inches		Approx. Wt. Lbs. [kg]
	E	N	
Z1209-NL4/NR4-89	3 1/2 [89]	7 [178]	58 [26]
Z1209-HL4/HR4-89	3 1/2 [89]	7 [178]	73 [33]

ENGINEERING SPECIFICATION: ZURNZ1209(-)-89

Vertical Siphon Jet Water Closet "Rigid System" with () size No-Hub or Hub and Spigot connections. Complete with Dura-Coated cast iron main fitting, universal floor mounted foot supports, corrosion resistant adjustable ABS coupling with integral test cap, fixture trim, and stud protectors. Rear anchor tie down, and bonded "Neo-Seal" gasket.

PRODUCT/DEFINITION

- _____ Z1209-NL4-89 4 [102] No-Hub Stack, Left Hand Offset Inlet, 2 [51] Left Hand Vent
- _____ Z1209-NR4-89 4 [102] No-Hub Stack, Right Hand Offset Inlet, 2 [51] Right Hand Vent
- _____ Z1209-HL4-89 4 [102] Hub & Spigot Stack, Left Hand Offset Inlet, 2 [51] Left Hand Vent
- _____ Z1209-HR4-89 4 [102] Hub & Spigot Stack, Right Hand Offset Inlet, 2 [51] Right Hand Vent

PREFIXES

- _____ Z D.C.C.I. System with Zurn "ZZ" Adjustable Coupling
- _____ ZQ D.C.C.I. System with Non-Adjustable Coupling

SUFFIXES

- _____ -A Auxiliary Support Assembly (For P-Dim. greater than 18 [457])
- _____ -B Blowout Type Fixture Support
- _____ -CC Corrosion Resistant Cast Iron Coupling (6 [152] to 12 [305])
- _____ -CL Coupling Length Greater than 12 [305] (Specify length if greater than 6 [152])
- _____ -F Floor Mounted, Back Outlet Fixture Support
- _____ -G Galvanized Cast Iron
- _____ -JJ Two 2 [51] Auxiliary Inlet
- _____ -JS 2 [51] Auxiliary Inlet Stack Side
- _____ -JV 2 [51] Auxiliary Inlet Vent Side
- _____ -M Auxiliary Foot Support (For P-Dim. 10 [254] to 18 [457])
- _____ -VP Vandal Proof Trim
- _____ -X3 3" [76] Foot Extension Assembly
- _____ -X4 4" [102] Foot Extension Assembly
- _____ -29 Mechanical Test Cap Assembly (Previously Z1210-45)
- _____ -50 Flush Valve Supply Support for W.C.
- _____ -61 "ZZ" Coupling Wrench

*REGULARLY FURNISHED UNLESS OTHERWISE SPECIFIED

REV.	DATE: 07/23/10	C.N. NO. 111432
DWG. NO. 301435 PRODUCT NO. Z1209-89		