



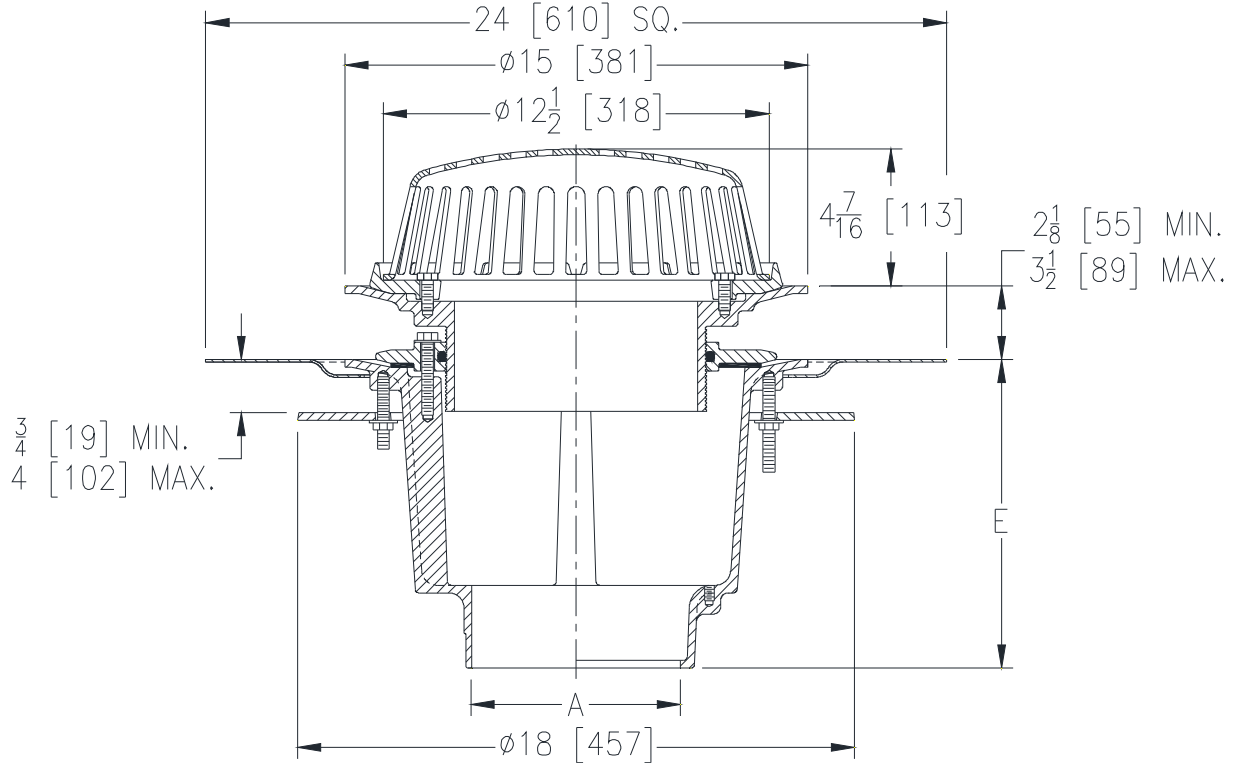
Z104-C-EA-R

15 [381] DIAMETER DEEP SUMP ROOF DRAIN W/ UNDERDECK CLAMP, ADJUSTABLE EXTENSION AND ROOF SUMP RECEIVER

SPECIFICATION SHEET

TAG _____

Dimensional Data (inches and [mm]) are Subject to Manufacturing Tolerances and Change Without Notice



A- Pipe Size In. [mm]	Approx. Wt. Lbs. [kg]	Dome Open Area Sq. In. [cm ²]
3, 4 [76, 102]	68 [31]	103 [665]
6, 8 [152, 203]		

ENGINEERING SPECIFICATION: ZURN Z104-C-EA-R
 15" [381mm] Diameter roof drain. Dura-Coated cast iron deep sump body with combination membrane flashing clamp/gravel guard, adjustable extension, secondary clamping collar with o-ring, roof sump receiver, underdeck clamp and low silhouette Poly-Dome.

OPTIONS (Check/specify appropriate options)

PIPE SIZE

3, 4, 6, 8 [76, 102, 152, 203]
 3, 4 [76, 102]

(Specify size/type) **OUTLET**

___ NH No-Hub
 ___ NL Neo-Loc

'E' BODY HT. DIM.

10 [254]
 9-5/16 [236]

PREFIXES

___ Z D.C.C.I. Body with Poly-Dome*
 ___ ZA D.C.C.I. Body with High Aluminum Dome
 ___ ZC D.C.C.I. Body with Cast Iron Dome

SUFFIXES

___ -AR Acid Resistant Epoxy Coated Finish	___ -SS Stainless Steel Mesh Screen Over Dome
___ -AW 3/4 [19] to 4 [102] Adjustable Water Level Regulator	___ -VP Vandal-Proof Secured Top
___ -E Static Extension 1 [25] thru 4 [102] (Specify Ht)	___ -W2 2 [51] Internal Water Dam
___ -FG Flush Grate	___ -W3 3 [76] Internal Water Dam
___ -G Galvanized Cast Iron	___ -W4 4 [102] Internal Water Dam
___ -HD 6-3/4 [171] High Aluminum Dome Strainer (148 Sq. In. [955cm ²] Open area) (ZA Only)	___ -84 Stainless Steel Perforated Gravel Guard
___ -SC Secondary Clamping Collar	___ -85 Stainless Steel Perforated Extension
	___ -89 2 [51] High External Water Dam

* Regularly furnished unless otherwise specified.