



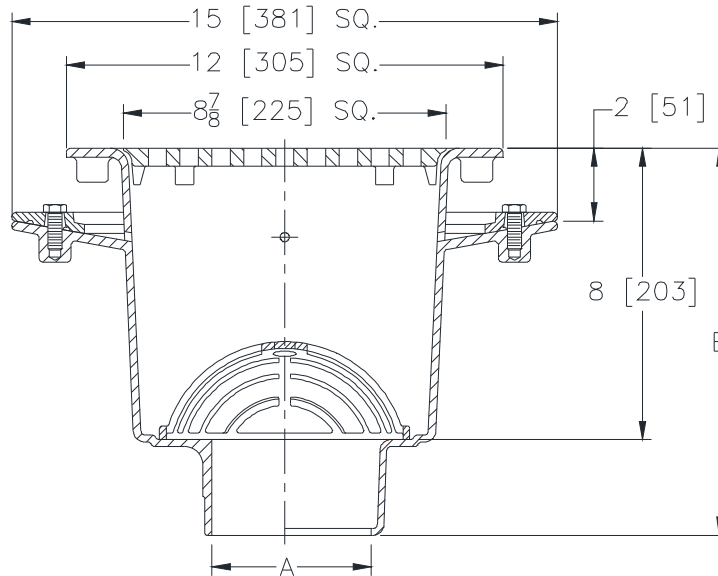
Z1901-KC

12 X 12 [305 X 305] A.R.E. SANI-FLORE RECEPTOR
8 [203] SUMP DEPTH W/ ANCHOR FLANGE AND CLAMP
COLLAR

SPECIFICATION SHEET

TAG _____

Dimensional Data (inches and [mm]) are Subject to Manufacturing Tolerances and Change Without Notice



A- Pipe Size In. [mm]	Approx Wt. Lbs. [kg]	Grate Open Area Sq. In. [cm ²]
2, 3, 4 [51, 76, 102]	34 [15]	31 [200]

ENGINEERING SPECIFICATION: ZURN Z1901-KC

Sani-FloR Receptor 12" x 12" x 8" [305mm x 305mm x 203mm] deep cast iron body with seepage flange, seepage holes, and clamping collar, square slotted light duty grate, with white acid resisting porcelain enamel interior and top, and black ground enamel exterior coating, complete with white ABS anti-splash interior bottom dome strainer.

OPTIONS (Check/specify appropriate options)

PIPE SIZE

- 3, 4 [76, 102]
- 2, 3, 4 [51, 76, 102]
- 2, 3, 4 [51, 76, 102]

(Specify size/type) **OUTLET**

- ___ IC Inside Caulk
- ___ NH No-Hub
- ___ NL Neo-Loc

'E' BODY HT. DIMENSION

Z	ZN / ZS
10-5/8 [270]	11-1/8 [283]
10-5/8 [270]	11-1/8 [283]
10 [254]	10-1/2 [267]

PREFIXES

- ___ Z Cast Iron Body with White A.R.E. Interior*
- ___ ZN Cast Iron Body with White A.R.E. Interior, 12-1/2 [318] Square N.B. Frame and Full Grate with 1/2 [13] Openings (Add 1/2 [13] to 12 [305] Dim.)
- ___ ZS Cast Iron Body with White A.R.E. Interior, 12-1/2 [318] Square Stainless Steel Frame and Full Grate with 1/2 [13] Openings (Add 1/2 [13] to 12 [305] Dim.)

SUFFIXES

- | | |
|--|--|
| ___ -DX Dex-o-Tex Flange (ZN only) | ___ -6 Grate w/ 6 [152] Dia. x 6 [152] High Funnel |
| ___ -HD Stainless Steel Frame w/ Extra-Heavy Duty Stainless Steel Grate (ZS only) | ___ -8 Grate w/ 8-7/8 x 3-5/8 x 3-3/4 [225 x 92 x 95] High Oval Funnel |
| ___ -HP Heel-Proof Grate (ZN only) | ___ -11 Vandal-Proof Secured Top (ZN & ZS only) |
| ___ -LD (Less) Bottom Dome Strainer | ___ -15 Solid Loose Set Cover (Z & ZN Only) |
| ___ -P 1/2 [13] Trap Primer Connection (See Z1023) | ___ -19 Full Hinged Grate (ZN only) |
| ___ -TC Neo-Loc Test Cap Gasket (2, 3, 4 [51, 76, 102] NL Bottom Outlet Only) | ___ -23 Aluminum Bucket |
| ___ -VPS Vandal-Proof Strainer | ___ -25 White A.R.C. Bucket |
| ___ -1 (Less) Grate | ___ -31 Stainless Steel Mesh Liner for Bucket |
| ___ -2 1/2 Grate | ___ -32 Aluminum Dome Strainer |
| ___ -3 3/4 Grate | ___ -33 White A.R.C. Anti-Splash Bottom Dome Strainer |
| ___ -4 Full Grate w/ Center Opening (2 [51] Dia. for Z Only) and (3-1/32 Square for ZN & ZS) | |

* Regularly furnished unless otherwise specified.

Zurn Industries, LLC | Specification Drainage Operation
1801 Pittsburgh Avenue, Erie, PA U.S.A. 16502 · Ph. 855-663-9876, Fax 814-454-7929
In Canada | Zurn Industries Limited
3544 Nashua Drive, Mississauga, Ontario L4V 1L2 · Ph. 905-405-8272, Fax 905-405-1292
www.zurn.com

Rev. F
Date: 10/11/2017
C.N. No. 138718
Prod. | Dwg. No. Z1901-KC