



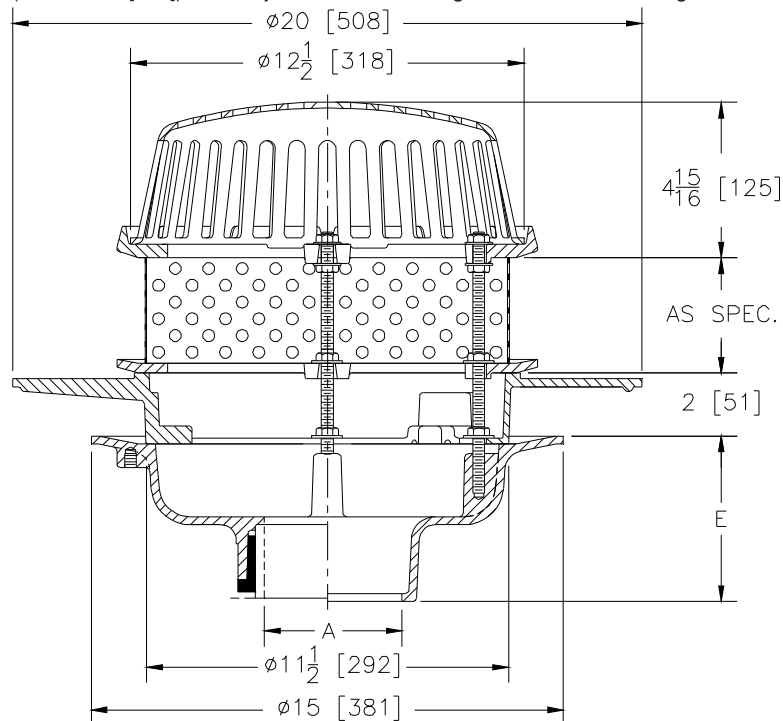
# Z100-203

15 [381] DIAMETER MAIN ROOF DRAIN W/WIDE FLANGE,  
SECONDARY CLAMP COLLAR, PERFORATED EXTENSION  
AND LOW SILHOUETTE DOME

SPECIFICATION SHEET

TAG \_\_\_\_\_

Dimensional Data (inches and [mm]) are Subject to Manufacturing Tolerances and Change Without Notice



A Pipe Size In.	Approx. Wt. Lbs. [kg]	Dome Open Area Sq. In. [cm <sup>2</sup> ]
2,3,4 [51,76,102]	54 [24]	103 [665]
5,6 [127,152]	55 [25]	
8 [203]	56 [25]	

### ENGINEERING SPECIFICATION: ZURN Z100-203

15 [381] Diameter roof drain. Dura-Coated cast iron body with wide flange frame, secondary clamp collar, stainless steel perforated extension, combination membrane flashing clamp/gravel, and low silhouette Poly-Dome.

### OPTIONS (Check/specify appropriate options)

#### PIPE SIZE

- 2 thru 6,8 [51 thru 152,203]
- 2 thru 6,8 [51 thru 152,203]
- 2 thru 6,8 [51 thru 152,203]
- 2,3,4 [51,76,102]
- 6 [152]

#### (Specify size/type) OUTLET

- \_\_\_\_\_ IC Inside Caulk
- \_\_\_\_\_ IP Threaded
- \_\_\_\_\_ NH No-Hub
- \_\_\_\_\_ NL Neo-Loc
- \_\_\_\_\_ NL Neo-Loc

#### E BODY HT. DIM.

- 5 1/4 [133]
- 3 3/4 [95]
- 5 1/4 [133]
- 4 9/16 [116]
- 5 7/16 [112]

#### PREFIXES

- \_\_\_\_\_ Z D.C.C.I. Body with Poly-Dome\*
- \_\_\_\_\_ ZA D.C.C.I. Body with Aluminum Dome
- \_\_\_\_\_ ZC D.C.C.I. Body with Cast Iron Dome
- \_\_\_\_\_ ZRB D.C.C.I. Body with Plain Bronze Dome

#### SUFFIXES

- \_\_\_\_\_ -AC Angular Underdeck Clamp
- \_\_\_\_\_ -AR Acid Resistant Epoxy Coated
- \_\_\_\_\_ -BS Bronze Mesh Screen Over Dome
- \_\_\_\_\_ -C Underdeck Clamp
- \_\_\_\_\_ -DE Deck Extension
- \_\_\_\_\_ -DP Top-Set® Deck Plate (Replaces both the -C and -R)
- \_\_\_\_\_ -EB Top-Set® Adjustable Extension Assembly
- \_\_\_\_\_ -G Galvanized Cast Iron
- \_\_\_\_\_ -GD Galvanized Cast Iron Dome (ZC Only)
- \_\_\_\_\_ -HD 6 3/4 [171] High Aluminum Dome Strainer (148 Sq. In. [955 cm<sup>2</sup>] Open Area) (ZA Only)
- \_\_\_\_\_ -R Roof Sump Receiver
- \_\_\_\_\_ -SS Stainless Steel Mesh Screen Over Dome
- \_\_\_\_\_ -ST Dome with Solid Top (ZA, ZC & ZRB Only)
- \_\_\_\_\_ -TC Neo-Loc Test Cap Gasket (2 - 4 [51 - 102] NL Bottom Outlet Only)
- \_\_\_\_\_ -VP Vandal-Proof Secured Top
- \_\_\_\_\_ -84 Stainless Steel Perforated Gravel Guard
- \_\_\_\_\_ -90 90° Threaded Side Outlet Body (2 thru 6 [51 or 152])

\*REGULARLY FURNISHED UNLESS OTHERWISE SPECIFIED

REV. DATE: 7/16/09 C.N. NO. 109974

DWG. NO. P-15733 PRODUCT NO. Z100-203

ZURN INDUSTRIES, LLC ♦ SPECIFICATION DRAINAGE OPERATION ♦ 1801 Pittsburgh Ave. ♦ Erie, PA 16514

Phone: 814/455-0921 ♦ Fax: 814/454-7929 ♦ World Wide Web: www.zurn.com

In Canada: ZURN INDUSTRIES LIMITED ♦ 3544 Nashua Drive ♦ Mississauga, Ontario L4V1L2 ♦ Phone: 905/405-8272 Fax: 905/405-1292