

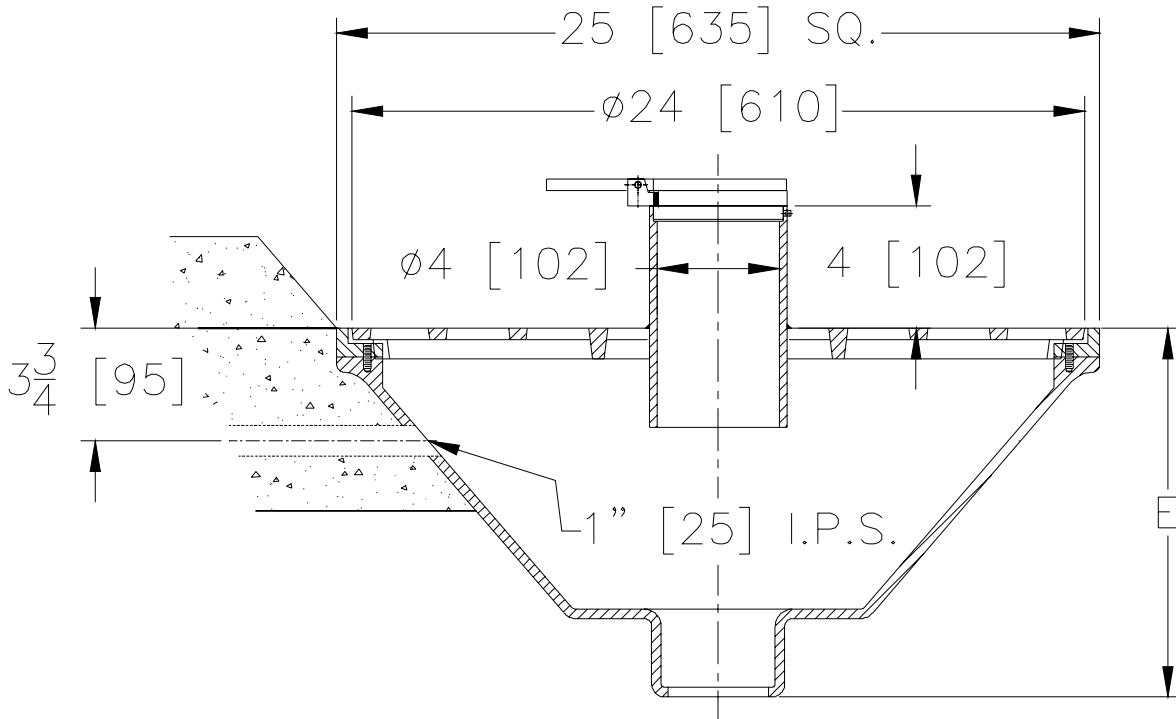


# Z921 THOROFLUSH DRAIN LARGE CAPACITY

SPECIFICATION SHEET

TAG \_\_\_\_\_

Dimensional Data (inches and [ mm ]) are Subject to Manufacturing Tolerances and Change Without Notice



A-Pipe Size Inches	Approx. Wt. Lbs.	Grate Open Area Sq. In.
3-4-5-6-8 [76-102-127-152-203]	118 [54]	232 [1497]

**ENGINEERING SPECIFICATION:** ZURN ZN921 25 [635] Large Capacity Thoroflush Drain, cast iron body with white acid resistant coated interior and Dura-Coated exterior, bottom outlet, and nickel bronze top frame and grate with flushing connection in body, 4 [100] waste receptacle with hinged cover/foot pedal.

**OPTIONS** (Check/specify appropriate options)

**PIPE SIZE**

- 3 thru 6-8 [76 thru 152-203]
- 3-4-6 [76-102-152]
- 3 thru 6-8 [76 thru 152-203]

(Specify size/type) **OUTLET**

- \_\_\_ **IC** Inside Caulk
- \_\_\_ **IG** Inside Caulk w/Sealtrol Gskt.
- \_\_\_ **IP** Threaded

**'E' BODY HT. DIM.**

- 12 1/8 [308]
- 12 1/8 [308]
- 11 [279]

**PREFIXES**

- \_\_\_ **ZB** Cast Iron Body w/A.R.C. Interior and Polished Bronze Top
- \_\_\_ **ZN** Cast Iron Body w/A.R.C. Interior and Polished Nickel Bronze Top\*

**SUFFIXES**

- \_\_\_ **-DC** Dura-Coated Interior
- \_\_\_ **-G** Galvanized Cast Iron
- \_\_\_ **-P** Trap Primer Connection
- \_\_\_ **-V** Backwater Valve (See Z1099)
- \_\_\_ **-VP** Vandal-Proof Secured Top
- \_\_\_ **-WB** Water Control Box (See Z1464)

\*REGULARLY FURNISHED UNLESS OTHERWISE SPECIFIED

<b>REV. A</b>	<b>DATE: 10/11/04</b>	<b>C.N. NO. 92651</b>
<b>DWG. NO. 67091</b>	<b>PRODUCT NO. Z921</b>	