



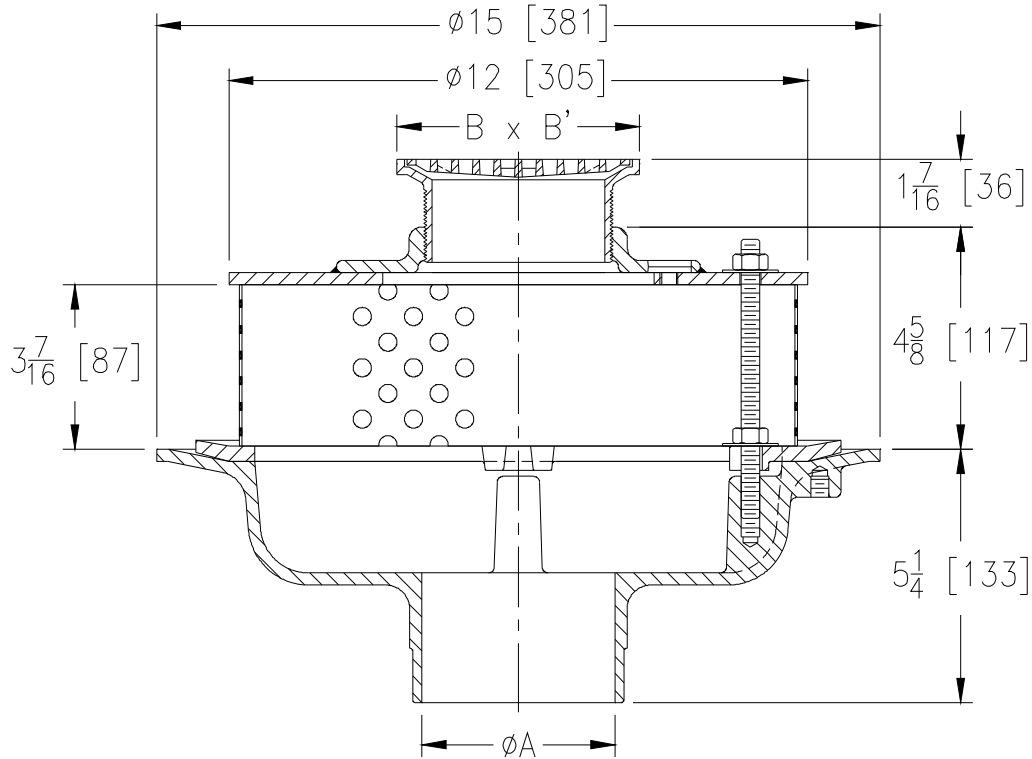
Z415S-83

BODY ASSEMBLY W/ "TYPE S" STRAINER & PERFORATED EXTENSION

SPECIFICATION SHEET

TAG _____

Dimensional Data (inches and [mm]) are Subject to Manufacturing Tolerances and Change Without Notice



Dimensions In Inches		Approx. Wt. Lbs. [Kg.]	Strainer Open Area Sq. In. [Cm ²]
A - Pipe Size	B x B' Strainer Top Size		
2-3-4 [51-76-102]	5 x 5 [128 x 128]	41 [19]	9 [58]

ENGINEERING SPECIFICATION: ZURN ZN415S-83
Prom-Deck drain, Dura-Coated cast iron Z100 body with bottom outlet, perforated extension with flat clamp collar, stainless steel perforated extension, secondary clamp collar and adjustable collar with "TYPE S" polished, nickel bronze square strainer.

OPTIONS (Check/specify appropriate options)

PIPE SIZE

2 thru 3 [51 thru 76]

OUTLET

_____ **NH** No-Hub

PREFIXES

- _____ **ZB** D.C.C.I. Body Assembly with Polished Bronze Top
- _____ **ZN** D.C.C.I. Body Assembly with Polished Nickel Bronze Top*

SUFFIXES

- _____ **-AR** Acid Resisting Epoxy Finish
- _____ **-G** Galvanized Cast Iron

REV. A	DATE: 11/3/04	C.N. NO. 92096
DWG. NO. P-14506	PRODUCT NO. Z415S-83	

*REGULARLY FURNISHED UNLESS OTHERWISE SPECIFIED