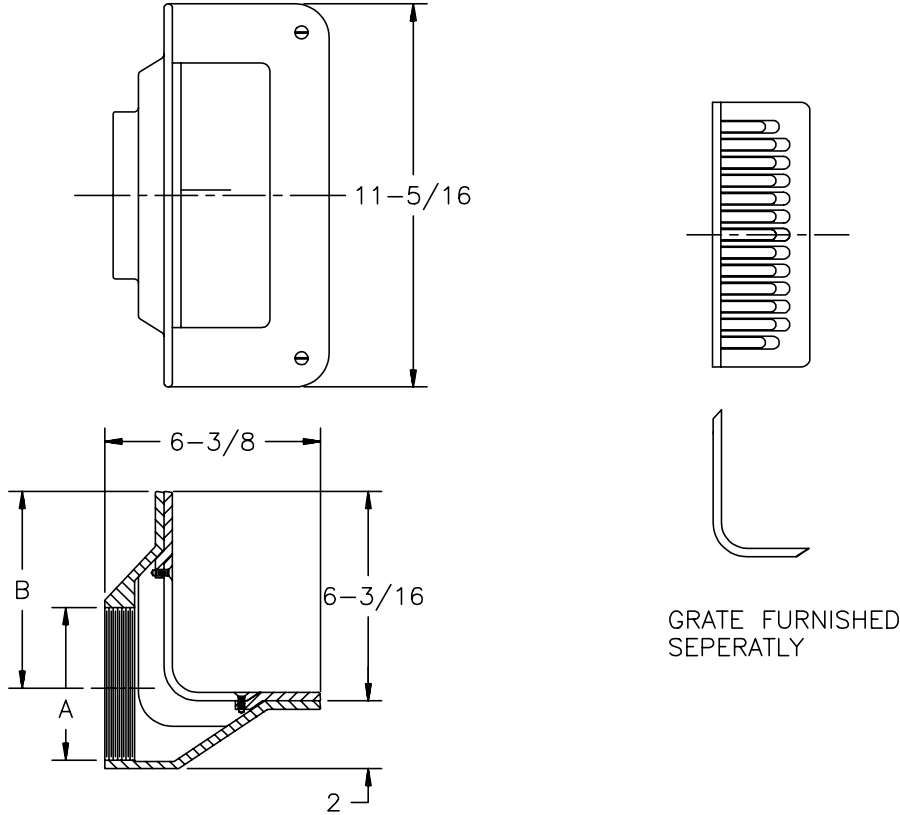




Z-189-79 SCUPPER DRAIN

TAG _____

Dimensions Subject to Manufacturing Tolerances



Dimensions In Inches		Approx. Wt. Lbs.	Grate Open Area Sq. In.
A-Pipe Size	B		
2	6-3/4	18	20
3	6-1/4		
4	5-3/4		

ENGINEERING SPECIFICATION: ZURN Z-189-79 Scupper drain, Dura-Coated cast iron body with flush type strainer and combination frame and membrane flashing clamp with solid cast iron shipping cover.

OPTIONS (Check/specify appropriate options)

OUTLET (Specify type)

- _____ IP Threaded
- _____ NH No-Hub

PIPE SIZE (Specify size)

- _____ 2" thru 4"
- _____ (IP w/Z-1040)

BODY HT. DIMENSION

See Chart

PREFIXES

- _____ Z- D.C.C.I. Body with Grate*
- _____ ZB- D.C.C.I. Body with Polished Bronze Grate
- _____ ZN- D.C.C.I. Body with Polished Nickel Bronze Grate

SUFFIXES

- _____ -DA Downspout Adapter
- _____ -G Galvanized Cast Iron
- _____ -OB Oblique Grate
- _____ -VP Vandal Proof Secured Top
- _____ -90 90° Side Outlet Body

REV. _____	DATE: 10/1/93	C.N. NO. 69280
DRAWING NO. P-13868		PRODUCT NO. Z-189-79

*REGULARLY FURNISHED UNLESS OTHERWISE SPECIFIED