

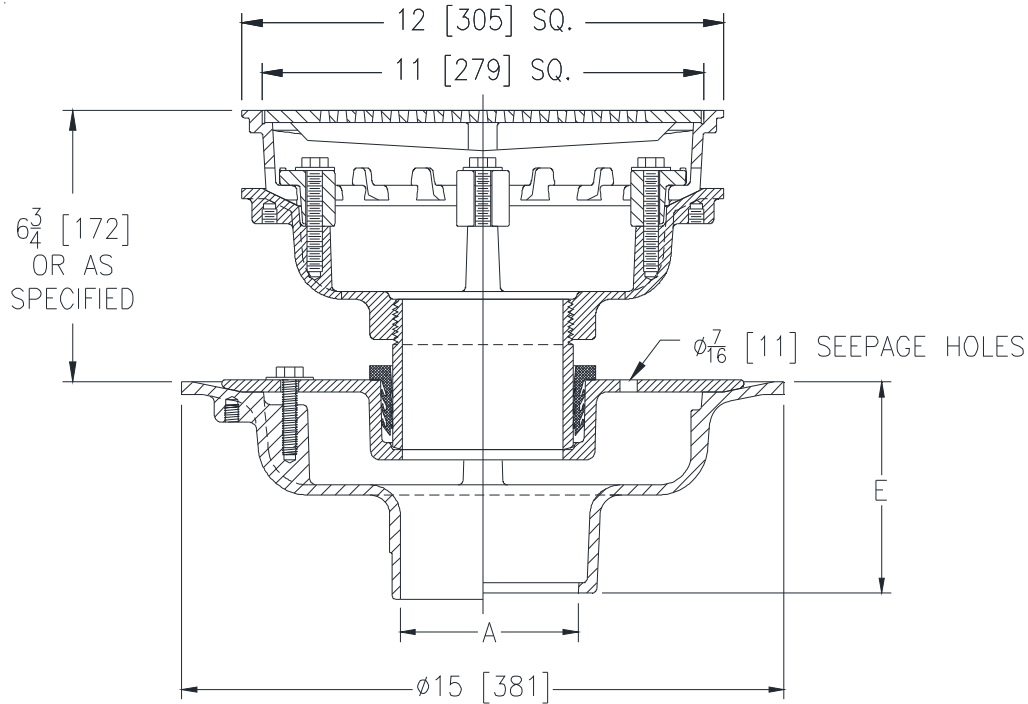


**Z624-118**  
ISOLATION DECK DRAIN W/ Z154 UPPER  
DRAIN BODY

SPECIFICATION SHEET

TAG \_\_\_\_\_

Dimensional Data (inches and [ mm ]) are Subject to Manufacturing Tolerances and Change Without Notice



A Pipe Size in [mm]	Approx. Wt. Lbs. [kg]	Grate Open Area Sq. In. [cm <sup>2</sup> ]
2, 3, 4 [51, 76, 102]	42 [19]	34 [219]
5, 6 [127, 152]		

**ENGINEERING SPECIFICATION: ZURN Z624-118**

Floating slab drain, Dura-Coated cast iron upper and lower bodies, clamp collar with weep holes, neoprene flex gasket and isolation nipple. Upper body with rotatable light duty squared cast iron promenade frame, frame clamps, and light duty heel proof grate.

**OPTIONS** (Check/specify appropriate options)

**PIPE SIZE**

- 2,3,4,5,6 [51,76,102,127,152]
- 2,3,4,6 [51,76,102,152]
- 2,3,4,5,6 [51,76,102,127,152]
- 2,3,4,5,6 [51,76,102,127,152]
- 2,3,4,5,6 [51,76,102,127,152]

(Specify size/type) **OUTLET**

- \_\_\_ IC Inside Caulk
- \_\_\_ IG Inside Gasket
- \_\_\_ IP Threaded
- \_\_\_ NH No-Hub
- \_\_\_ NL Neo-Loc

**'E' BODY HT. DIM.**

- 5-1/4 [133]
- 5-1/4 [133]
- 3-3/4 [95]
- 5-1/4 [133]
- 4-5/8 [117]

**PREFIXES**

- \_\_\_ Z D.C.C.I. Body and Top\*
- \_\_\_ ZB D.C.C.I Body w/ Polished Bronze Top (Add 3/16 [5] to 4-15/16 [125] Dim)
- \_\_\_ ZN D.C.C.I Body w/ Polished Nickel Bronze Top (Add 3/16 [5] to 4-15/16 [125] Dim)

**SUFFIXES**

- \_\_\_ -C Underdeck Clamp (Lower Body)
- \_\_\_ -G Galvanized Cast Iron
- \_\_\_ -LH Less Weep Holes in Clamp Collar
- \_\_\_ -R Sump Receiver (Lower Body)
- \_\_\_ -TS Top Secured with Slotted Screws
- \_\_\_ -VP Vandal-Proof Secured Top
- \_\_\_ -Y Sediment Bucket (Upper Body)

\* Regularly furnished unless otherwise specified.