



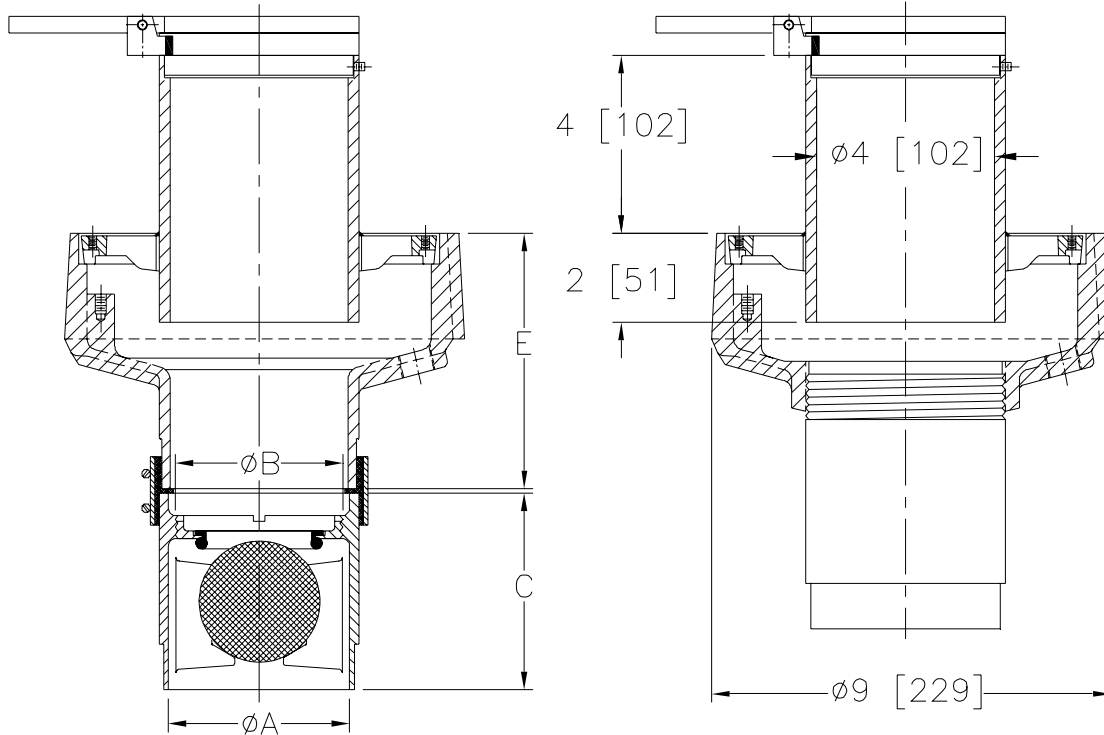
Z922-V

9 [229] DIAMETER MEDIUM DUTY DRAIN WITH BACKWATER VALVE

SPECIFICATION SHEET

TAG _____

Dimensional Data (inches and [mm]) are Subject to Manufacturing Tolerances and Change Without Notice



Dimensions In Inches			Approx. Wt. lbs. [Kg.]
Pipe Size		C	
A	B		
2 [51]	3 [76]	6-1/2 [165]	21 [10]
3 [76]			22 [10]
4 [102]	4 [102]		24 [11]

ENGINEERING SPECIFICATION: ZURN Z922-V

9 [229] Diameter top drain, Dura-Coated cast iron body with bottom outlet, medium duty slotted grate with standpipe and foot pedal valve. Complete with cast iron backwater valve body, plastic ball float, bronze bushing and replaceable Neoprene seat.

OPTIONS (Check/specify appropriate options)

PIPE SIZE

2-3-4 [51-76-102]

2-3-4 [51-76-102]

(Specify size/type) OUTLET

___ IP Threaded

___ NH No-Hub

'E' BODY HT. DIM.

4 [102]

5-3/4 [146]

PREFIXES

___ Z D.C.C.I. Body and Grate*

___ ZB D.C.C.I. Body with Polished Bronze Grate (Add 3/16 [5] to E Dim.)

___ ZN D.C.C.I. Body with Polished Nickel Bronze Grate (Add 3/16 [5] to E Dim.)

SUFFIXES

___ -AR Acid Resistant Epoxy Coated

___ -G Galvanized Cast Iron

___ -P Trap Primer connection

___ -SS Stainless Steel Mesh Liner for Bucket

___ -VP Vandal-Proof Secured Top

REV. A DATE: 02/23/11 C.N. NO. 120903

DWG. NO. 82619

PRODUCT NO. Z922-V

*REGULARLY FURNISHED UNLESS OTHERWISE SPECIFIED

ZURN INDUSTRIES, LLC. ♦ SPECIFICATION DRAINAGE OPERATION ♦ 1801 Pittsburgh Ave. ♦ Erie, PA 16514

Phone: 814/455-0921 ♦ Fax: 814/454-7929 ♦ World Wide Web: www.zurn.com

In Canada: ZURN INDUSTRIES LIMITED ♦ 3544 Nashua Drive ♦ Mississauga, Ontario L4V1L2 ♦ Phone: 905/405-8272 Fax: 905/405-1292