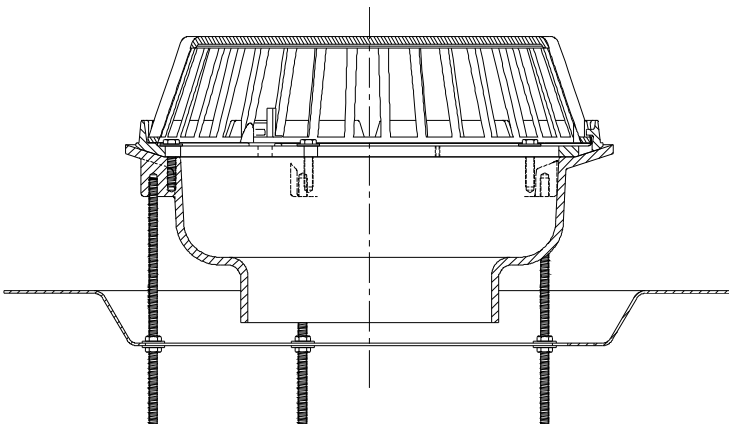
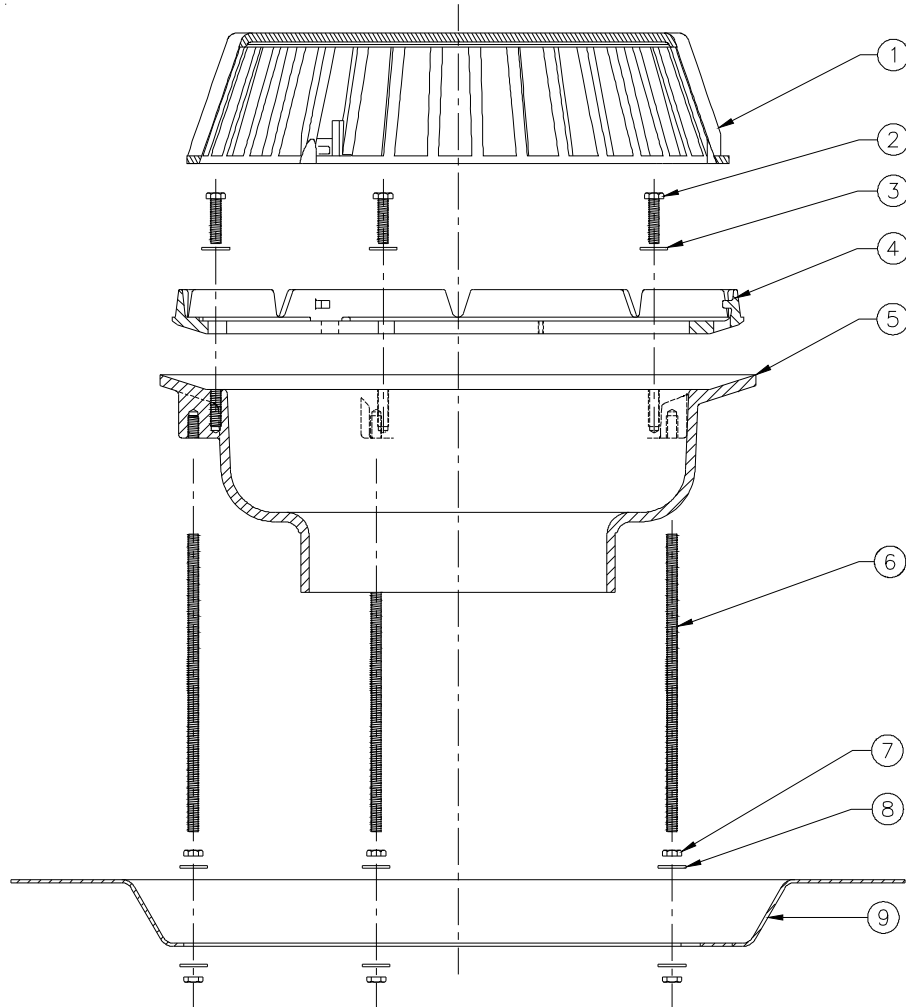




Z101-EB

20 DIAMETER ROOF DRAIN W/ TOP-SET® ADJUSTABLE EXTENSION ASSEMBLY EXPLODED PARTS LIST

Dimensional Data (inches and [mm]) are Subject to Manufacturing Tolerances and Change Without Notice



Z101-EB PARTS LIST

Item	Name	Part #	Quan.
1	Dome	61210	1
2	3/8 x 1 1/2 Hex Bolt	26050	5
3	3/8 Nom. Washer	14858	5
4	Clamp Collar	61209	1
5	Body	61208	1
6	3/8 x 10" Threaded Stud	14861	5
7	3/8 Jam Nut	14850	10
8	3/8 Nom. Washer	14858	10
9	Top-Set® Deck Plate	67579	1

Form # RD87

Date: 1/28/11

C.N. No. 120817

Rev. -

ZURN INDUSTRIES, INC. ♦ SPECIFICATION DRAINAGE OPERATION ♦ 1801 Pittsburgh Ave. ♦ Erie, PA 16514

Phone: 814/455-0921 ♦ Fax: 814/454-7929 ♦ World Wide Web: www.zurn.com

In Canada: ZURN INDUSTRIES LIMITED ♦ 3544 Nashua Drive ♦ Mississauga, Ontario L4V1L2 ♦ Phone: 905/405-8272 Fax: 905/405-1292