



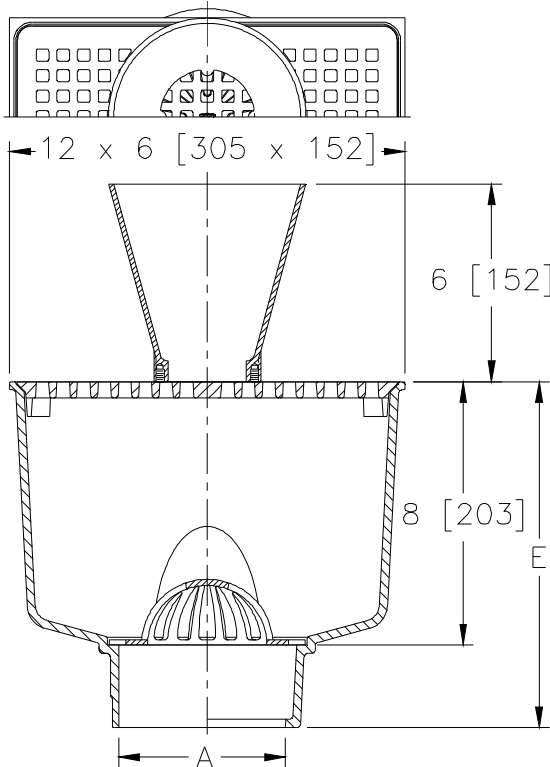
# Z1940-6

12 X 6 [305 X 152] A.R.C. SANI-FLOR RECEPTOR 8 [203] SUMP  
DEPTH W/ FULL GRATE & 6 [152] DIA. x 6 [152] HIGH FUNNEL

SPECIFICATION SHEET

TAG \_\_\_\_\_

Dimensional Data (inches and [ mm ]) are Subject to Manufacturing Tolerances and Change Without Notice



A Pipe Size In. [mm]	Approx Wt. Lbs. [kg]	Grate Open Area Sq. In. [cm <sup>2</sup> ]
2,3,4 [51,76,102]	33 [15]	17 [110]

### ENGINEERING SPECIFICATION: ZURN Z1940-6

Sani-Flor Receptor 12" x 6" x 8" [305mm x 152mm x 203mm] deep cast iron body and rectangular square hole light-duty grate, with 6" [152mm] diameter x 6" [152mm] high funnel, white acid resisting epoxy coated interior and top, complete with white ABS anti-splash interior bottom dome strainer.

### OPTIONS (Chck/specify appropriate options)

#### PIPE SIZE

2,3,4 [51,76,102]  
2,3,4 [51,76,102]  
2,3,4 [51,76,102]

#### OUTLET (Specify size/type)

\_\_\_ IC Inside Caulk  
\_\_\_ NH No-Hub  
\_\_\_ NL Neo-Loc

#### 'E' BODY HT. DIMENSION

Z	ZN
10-1/2 [267]	10-7/8 [276]
10-1/2 [267]	10-7/8 [276]
10 [254]	10-3/8 [264]

#### PREFIXES

\_\_\_ Z Cast Iron Body with White A.R.C. Interior\*  
\_\_\_ ZN Cast Iron Body with White A.R.C. Interior, 13 x 7 [330 x 178] N.B. Frame and Full Grate with 6 [152] Dia. x 6 [152] High Funnel

#### SUFFIXES

___ -K Anchor Flange with Seepage Holes	___ -23 Aluminum Bucket
___ -KC Anchor Flange with Seepage Holes and Clamp Collar	___ -25 White A.R.C. Bucket
___ -LD (Less) Bottom Dome Strainer	___ -31 Stainless Steel Mesh Liner for Bucket
___ -P 1/2 [13] Trap Primer Connection	___ -32 Aluminum Dome Strainer
___ -S Secondary Strainer	___ -33 White A.R.C. Anti-Splash Bottom Dome Strainer
___ -TC Neo-Loc Test Cap Gasket (2,3,4 [51,76,102] NL Bottom Outlet Only)	
___ -11 Vandal-Proof Secured Grate (ZN Only)	

\* Regularly furnished unless otherwise specified.