



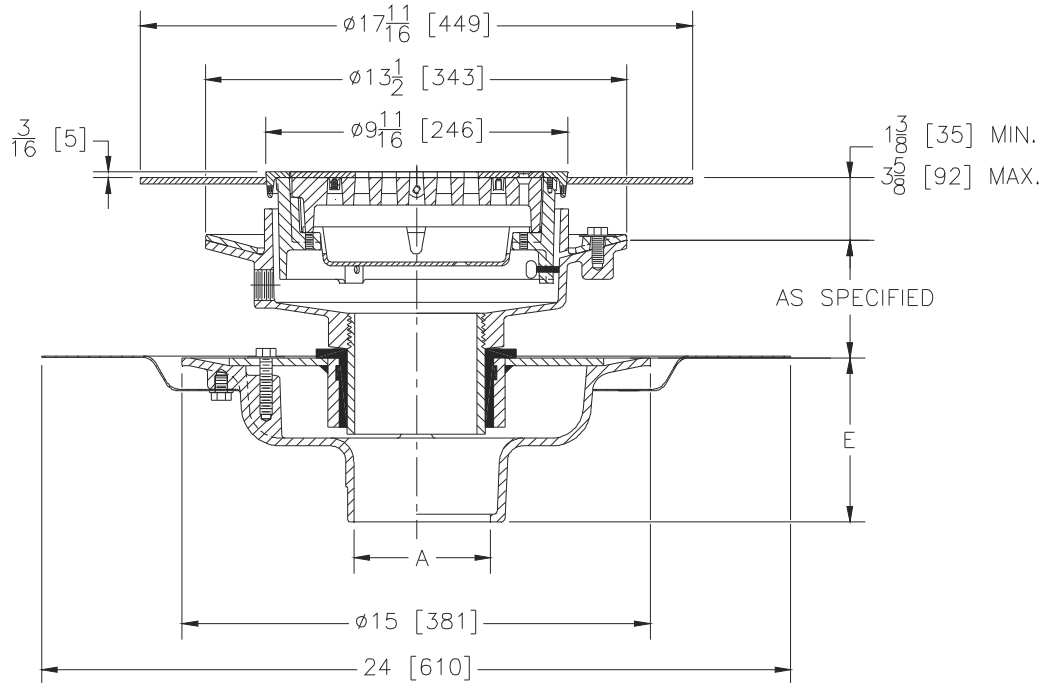
Z627-101

ISOLATION DECK ADJUSTABLE HEAVY-DUTY DRAIN
W/ TOP SET® DECK PLATE, HEEL PROOF GRATE, &
DEX-O-TEX FLANGE

SPECIFICATION SHEET

TAG _____

Dimensional Data (inches and [mm]) are Subject to Manufacturing Tolerances and Change Without Notice



| A- Pipe Size In.[mm] | Approx. Wt. Lbs. [kg] | Grate Open Area Sq. In. [cm ²] |
|-------------------------|-----------------------------|--|
| 2,3,4 [51,76,102] | 70 [32] | 18 [116] |
| 5,6 [127,151] | | |

ENGINEERING SPECIFICATION: ZURN Z627-101

Isolation deck Adjustable drain, Dura-Coated cast iron lower body with clamp collar and Top Set® Deck Plate, isolation nipple, upper body with clamp collar and sediment bucket. Complete with polished bronze or nickel bronze heel proof veneer grate with Dex-o-tex Flange.

OPTIONS (Check/specify appropriate options)

PIPE SIZE

2,3,4,5,6 [51,76,102,127,151]
2,3,4, & 6 [51,76,102, 151]
2,3,4,5,6 [51,76,102,127,151]
2,3,4,5,6 [51,76,102,127,151]
2,3,4, [51,76,102]

(Specify size/type) OUTLET

___ IC Inside Caulk
___ IG Inside Caulk w/Sealtrol Gskt.
___ IP Threaded
___ NH No-Hub
___ NL Neo-Loc

'E' BODY HT. DIM.

5-1/4 [133]
5-1/4 [133]
3-3/4 [95]
5-1/4 [133]
4-5/8 [117]

PREFIXES

___ ZB D.C.C.I Body w/Polished Bronze Top (Add 3/16 [5] to 2 [51] & 5/8 [16] to 9 [229] Dim.)
___ ZN D.C.C.I Body w/Polished Nickel Bronze Top (Add 3/16 [5] to 2 [51] & 5/8 [16] to 9 [229] Dim.)

SUFFIXES

___ -C Underdeck Clamp
___ -DG Duresist Grate
___ -F Extension
___ -G Galvanized Cast Iron
___ -TS Top Secured with Slotted Screws
___ -VP Vandal Proof Secured Top