



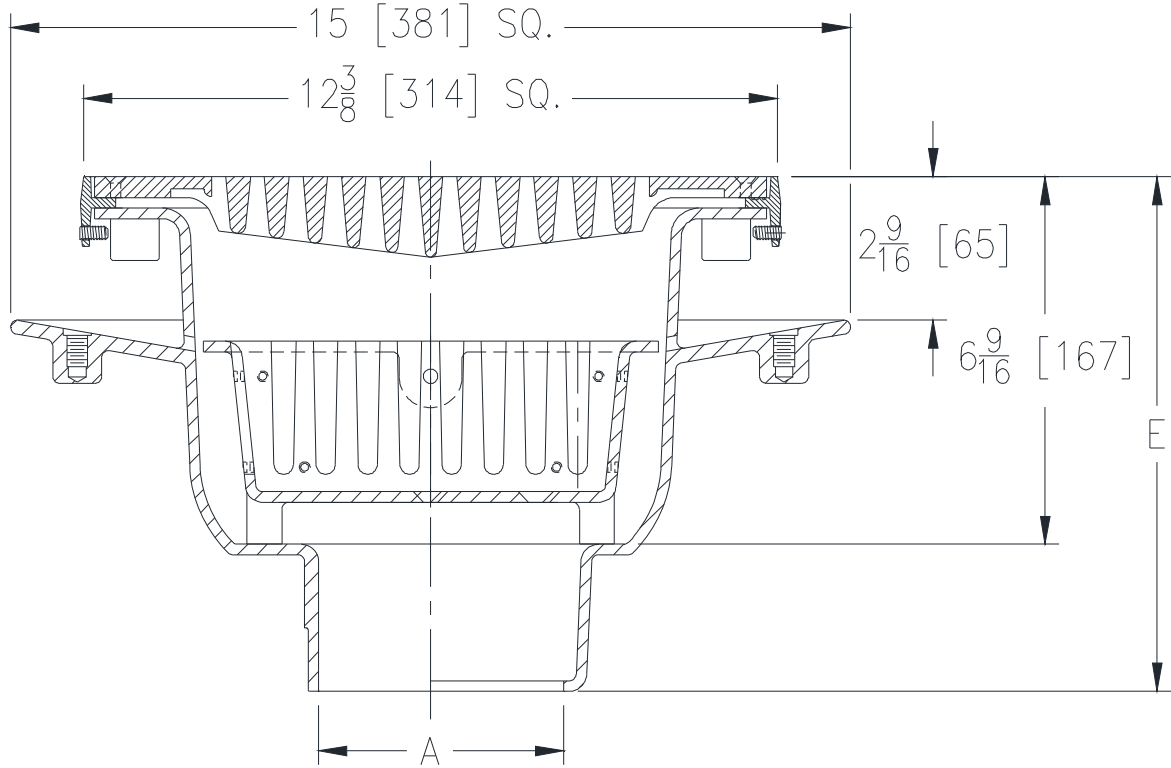
# ZS1900-HD-K-23

12-3/8 x 12-3/8 [314 x 314] A.R.E. SANI-FLOR RECEPTOR  
W/ 6 [152] SUMP DEPTH, ANCHOR FLANGE,  
EXTRA HEAVY-DUTY GRATE & ALUMINUM BUCKET

SPECIFICATION SHEET

TAG \_\_\_\_\_

Dimensional Data (inches and [ mm ]) are Subject to Manufacturing Tolerances and Change Without Notice



A Pipe Size In. [mm]	Approx Wt. Lbs.[kg]	Grate Open Area Sq. In. [cm <sup>2</sup> ]
2,3,4 [51,76,102]	36 [16]	22 [142]

### ENGINEERING SPECIFICATION: ZURN ZS1900-HD-K-23

Sani-Flor Receptor 12-3/8" x 12-3/8" x 6" [314mm x 314mm x 152mm] deep cast iron body with anchor flange and seepage holes, square stainless steel extra heavy-duty grate with white acid resisting porcelain enamel interior, black ground enamel exterior coating, and aluminum bucket.

**OPTIONS** (Check/specify appropriate options)

#### PIPE SIZE

(Specify size/type) **OUTLET**

#### 'E' BODY HT. DIMENSION

3,4 [76,102]

\_\_\_ IC Inside Caulk

9-1/8 [232]

2,3,4 [51,76,102]

\_\_\_ NH No-Hub

9-1/8 [232]

2,3,4 [51,76,102]

\_\_\_ NL Neo-Loc

8-1/2 [216]

#### PREFIXES

\_\_\_ ZS Cast Iron Body With White A.R.E. Interior, 12-3/8 [314] Stainless Steel Frame

#### SUFFIXES

\_\_\_ -P 1/2 [13] Trap Primer Connection (See Z1023)

\_\_\_ -SA Stabilizer Assembly (See Z1903)

\_\_\_ -TC Neo-Loc Test Cap Gasket  
(2,3,4 [51,76,102] NL Bottom Outlet Only)

\_\_\_ -VPS Vandal Proof Strainer

\_\_\_ -11 Vandal-Proof Secured Top (ZN & ZS Only)

\_\_\_ -31 Stainless Steel Mesh Liner for Bucket

\* Regularly furnished unless otherwise specified.

Zurn Industries, LLC | Specification Drainage Operation  
1801 Pittsburgh Avenue, Erie, PA U.S.A. 16502 · Ph. 855-663-9876, Fax 814-454-7929  
In Canada | Zurn Industries Limited  
3544 Nashua Drive, Mississauga, Ontario L4V 1L2 · Ph. 905-405-8272, Fax 905-405-1292  
[www.zurn.com](http://www.zurn.com)

Rev. A  
Date: 10/12/17  
C.N. No. 138706  
Prod. | Dwg. No. ZN1900-HD-K-23