



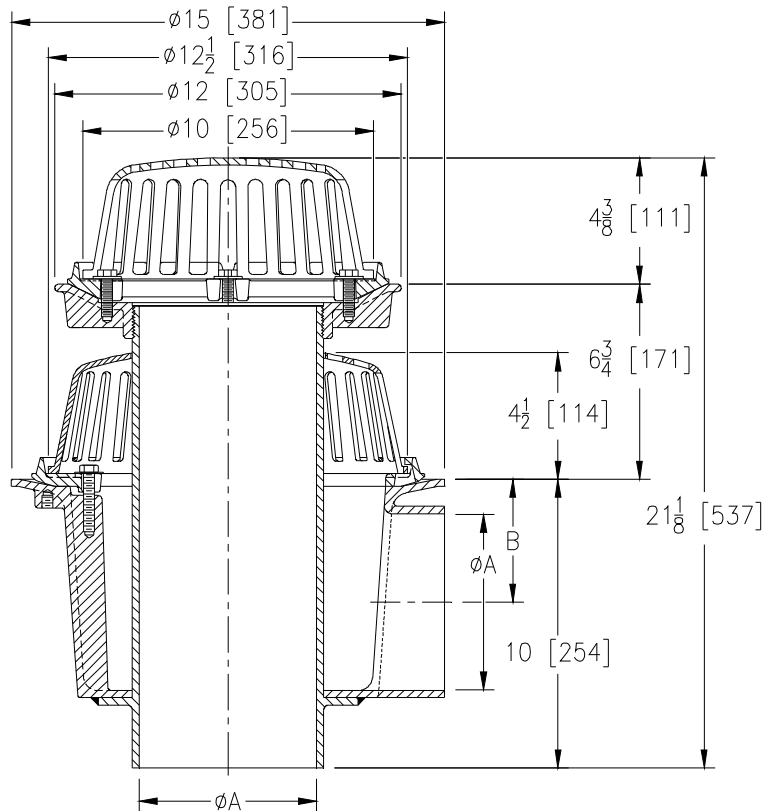
# Z103-DU

15 [381] DIAMETER DEEP SUMP DUAL OUTLET ROOF  
DRAIN W/ CAST IRON DOME ON OVERFLOW PIPE

SPECIFICATION SHEET

TAG \_\_\_\_\_

Dimensional Data (inches and [ mm ]) are Subject to Manufacturing Tolerances and Change Without Notice



A Pipe Size In. [mm]	B In. [mm]	Approx. Wt. Lbs. [kg]	Dome Open Area Sq. In. [cm <sup>2</sup> ]
3 [76]	5-9/16 [141]	60 [22]	103 [665]
4 [102]	5-1/16 [129]		
6 [152]	4 [102]		

### ENGINEERING SPECIFICATION: ZURN Z103-DU

15" [381mm] Diameter dual outlet roof drain with 90° primary outlet connection. Dura-Coated cast iron deep sump body with combination membrane flashing clamp/gravel guard, overflow pipe with cast iron dome (3", 4", 6" [76mm, 102mm, 152mm]) and low silhouette cast iron dome.

### OPTIONS (Check/specify appropriate options)

#### PIPE SIZE

3, 4, 6 [76, 102, 152]

#### (Specify size) OUTLET

\_\_\_\_\_ NH No-Hub

#### PREFIXES

\_\_\_\_\_ Z D.C.C.I. Body w/ Cast Iron Dome

#### SUFFIXES

\_\_\_\_\_ -AR Acid Resistant Epoxy Coated Finish

\_\_\_\_\_ -C Underdeck Clamp

\_\_\_\_\_ -DP Top-Set® Deck Plate (Replaces both the -C & -R)

\_\_\_\_\_ -E Static Extension 1 [25] thru 4 [102] (Specify Ht)

\_\_\_\_\_ -G Galvanized Cast Iron

\_\_\_\_\_ -SS Stainless Mesh Screen over Dome

\_\_\_\_\_ -VP Vandal-Proof Secured Top

\_\_\_\_\_ -45 45° Primary Outlet Connection

(3, 4, 6 [76, 102, 152] Pipe only)

\_\_\_\_\_ -84 Stainless Steel perforated Gravel Guard

\* Regularly furnished unless otherwise specified.

Zurn Industries, LLC | Specification Drainage Operation  
1801 Pittsburgh Avenue, Erie, PA U.S.A. 16502 · Ph. 855-663-9876, Fax 814-454-7929  
In Canada | Zurn Industries Limited  
3544 Nashua Drive, Mississauga, Ontario L4V 1L2 · Ph. 905-405-8272, Fax 905-405-1292  
[www.zurn.com](http://www.zurn.com)

Rev. C  
Date: 09/28/2017  
C.N. No. 138149  
Prod. | Dwg. No. Z103-DU