



# Z1231-EZR-78

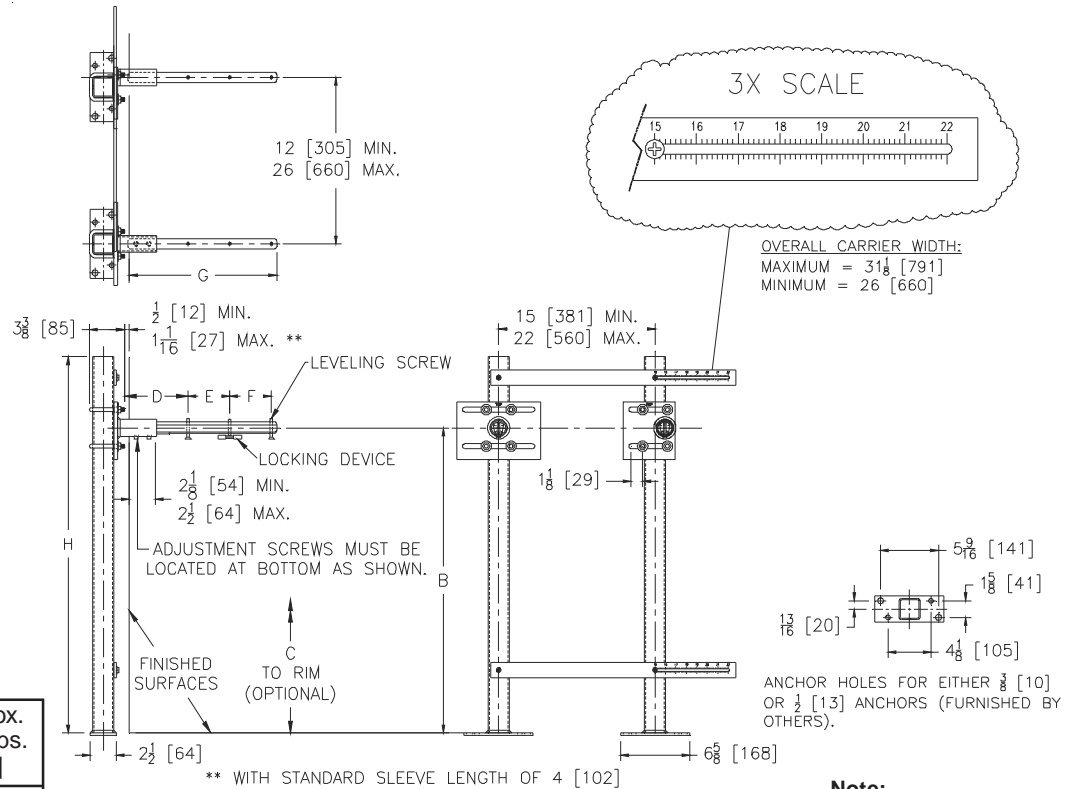
CONCEALED ARM CARRIER SYSTEM FOR WALL HUNG  
LAVATORY W/ ADJUSTABLE UPRIGHTS & CUSTOM OFFSET  
HEADER PLATES

SPECIFICATION SHEET

TAG \_\_\_\_\_

Dimensional Data (inches and [ mm ]) are Subject to Manufacturing Tolerances and Change Without Notice

Note: Dimensional data for letter dimensions depends upon fixture type and manufacturer. See Zurn Carrier/Fixture Rough-In information at [www.zurn.com](http://www.zurn.com) for specific rough-in dimensions



Product No.	Approx. Wt. Lbs. [kg]
Z1231-EZR-78	45 [20]

**Note:**

Two diagonally spaced anchors per foot are required for correct installation.

**ENGINEERING SPECIFICATION: ZURN Z1231-EZR-78**

Wall Hung Lavatory Support System complete with Dura-Coated upright supports made from structural carbon-steel square tubing, conforming to ASTM A500 Grade C standards, with welded steel plate mounting feet featuring separate bolt patterns for using either 3/8 [10] or 1/2 [13] anchors, both meeting OSHPD spacing requirements. Includes lower and upper EZ-installation plates, marked with an indexed ruler guide for accurate adjustability of upright spacing, from 15 [381] to 22 [560]. Includes one standard and one custom offset slotted header plates with integral welded arm sleeves which provide additional horizontal adjustment per plate allowing for a total horizontal adjustment range of 12 [305] to 26 [660]. Arms are Dura-Coated cast iron and include leveling screws and soft-set elastomeric locking devices. Uprights, EZ-installation plates, and header plates are all factory assembled for easy installation. Carrier system exceeds load and deflection requirements when tested in accordance to ASME Standard A112.6.1M at any adjustment position.

**OPTIONS** (Check/specify appropriate options)

**PREFIXES**

\_\_\_ Z Dura-Coated System with Support Plate\*

**SUFFIXES**

- |  |  |
|--|--|
| ___ -AL Adapter Lug  | ___ -E6 Concealed Arm Escutcheons 6 [152] Long                   |
| ___ -CU Floor to Ceiling Upright (Specify Height Required) | ___ -SL Sleeve Length Over 4 [102] (Specify Length)              |
| ___ -D Back to Back System                                 | ___ -WL Waste Line Sleeve  |
| ___ -E2 Concealed Arm Escutcheons 2 [51] Long              | ___ -WS Wall Support Valve Plate (Specify Valve Name and Number) |
| ___ -E4 Concealed Arm Escutcheons 4 [102] Long             | ___ -79 Paraplegic Rough-In                                      |

\* Regularly furnished unless otherwise specified.