



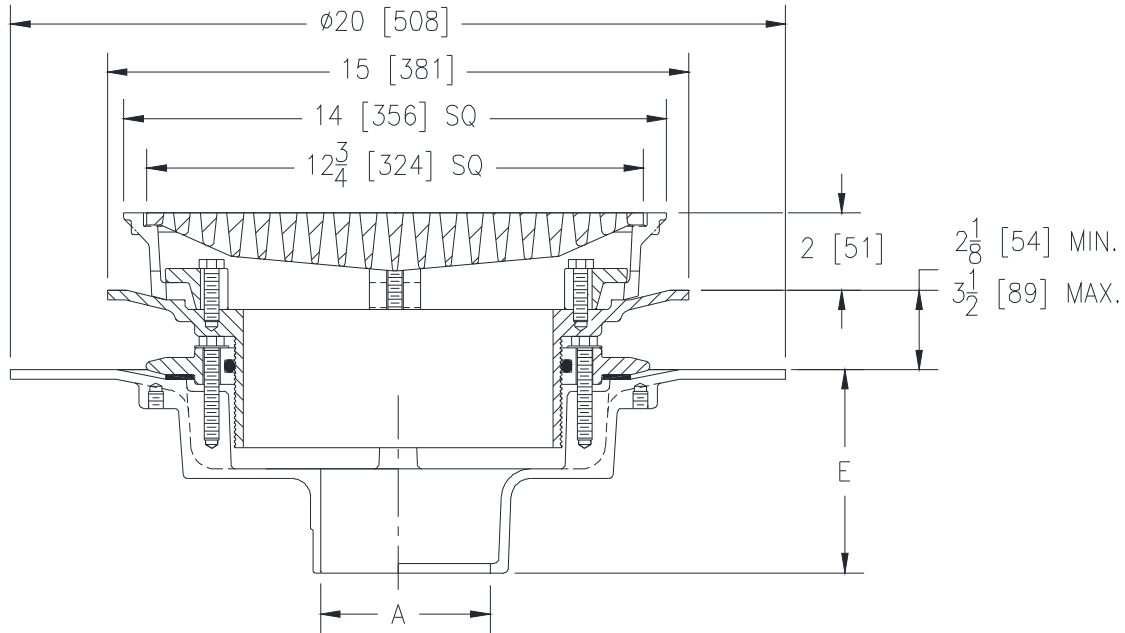
Z150-149

14 [356] SQUARE TOP PROM-DECK DRAIN W/
HEEL-PROOF GRATE, ADJUSTABLE EXTENSION, AND
20 [508] DIAMETER WIDE FLANGE BODY

SPECIFICATION SHEET

TAG _____

Dimensional Data (inches and [mm]) are Subject to Manufacturing Tolerances and Change Without Notice



A Pipe Size In. [mm]	Approx. Wt. Lbs. [kg]	Grate Open Area Sq. In. [cm ²]
3,4,6,8 [76,102,152,203]	53 [24]	44 [284]

ENGINEERING SPECIFICATION: ZURN Z150-149
14" [356mm] Square top prom-deck drain. Dura-Coated cast iron
20" [508mm] diameter wide flange body, rotatable square
promenade frame with seepage openings, adjustable extension,
frame clamps, and heavy-duty heel proof grate.

OPTIONS (Check/specify appropriate options)

PIPE SIZE

(Specify size/type) **OUTLET**

'E' BODY HT. DIM.

3,4,6 [76,102,152]
3,4,6,8 [76,102,152,203]

___ IC Inside Caulk
___ NH No-Hub

5-1/4 [133]
5-1/4 [133]

PREFIXES

- ___ Z D.C.C.I. Body w/ Grate*
- ___ ZB D.C.C.I. Body w/ Polished Bronze Grate (Add 3/16 [5] to 2 [51] Dim & 3/8 [10] to 14 [356] Dim.)
- ___ ZN D.C.C.I. Body w/ Polished Nickel Bronze Grate (Add 3/16 [5] to 2 [51] Dim. & 3/8 [10] to 14 [356] Dim.)

SUFFIXES

- ___ -AR Acid Resistant Epoxy Coated
- ___ -C Underdeck Clamp
- ___ -DE Deck Extension
- ___ -DG Duresist Grate
- ___ -DP Top-Set® Roof Deck Plate
(Replaces both the -C and -R)
- ___ -DT Decorative Polished Top (ZB and ZN Only)
- ___ -E Static Extension 1 [25] thru 4 [102] (Specify Ht.)
- ___ -EB Top-Set® Adjustable Extension Assembly
- ___ -G Galvanized Cast Iron
- ___ -R Roof Sump Receiver
- ___ -S Secondary Strainer
- ___ -SC Secondary Clamp Collar
- ___ -TS Top Secured with Slotted Screws
- ___ -VP Vandal-Proof Secured Top
- ___ -XJ Vertical Expansion Joint (See Z190)
- ___ -Y Sediment Bucket
- ___ -85 Stainless Steel Perforated Extension
- ___ -90 90° Threaded Side Outlet Body
(2,3,4,6 [51,76,102,152])

* Regularly furnished unless otherwise specified.