



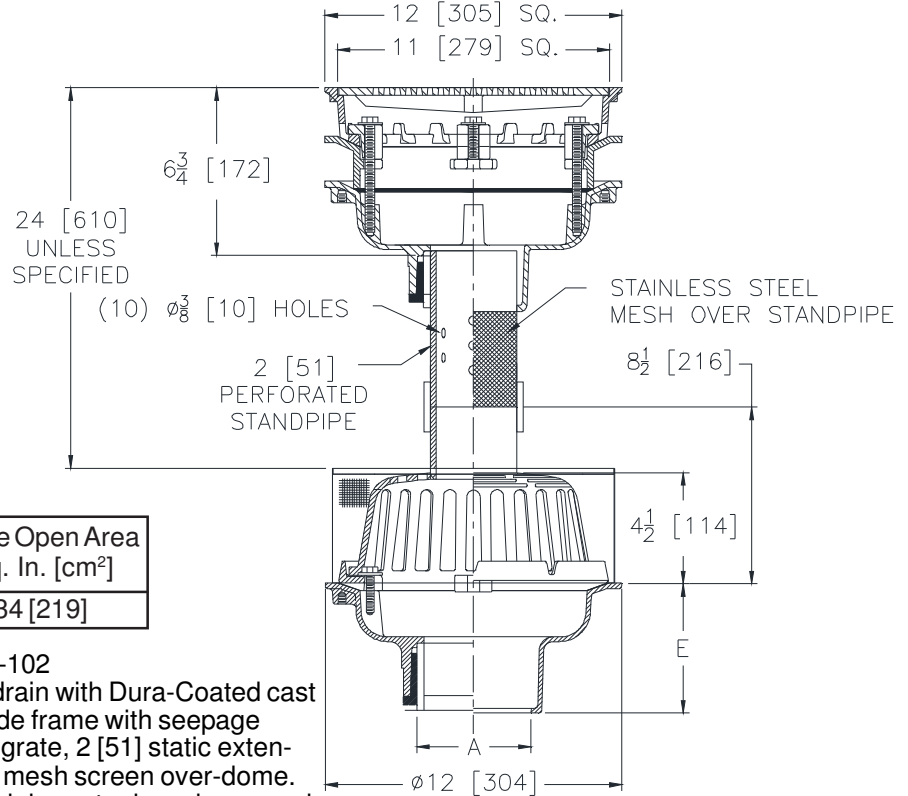
Z154-102

12 [305] SQUARE TOP PROM-DECK DRAIN W/ HEEL-PROOF GRATE, ROTATABLE FRAME & Z121 LOWER BODY WITH S.S. MESH COVERED PERFORATED CONNECTING STANDPIPE

SPECIFICATION SHEET

TAG _____

Dimensional Data (inches and [mm]) are Subject to Manufacturing Tolerances and Change Without Notice



A- Pipe Size In. [mm]	Approx. Wt. Lbs. [kg]	Grate Open Area Sq. In. [cm ²]
2,3,4,5,6 [51,76,102,127,152]	51 [23]	34 [219]

ENGINEERING SPECIFICATION: ZURN Z154-102

Upper body. 12 [305] Square Top Prom-Deck drain with Dura-Coated cast iron body, rotatable light duty square promenade frame with seepage openings, frame clamps, light duty heel-proof grate, 2 [51] static extension, and Z121 lower body with stainless steel mesh screen over-dome. Upper & lower body assemblies secured to stainless steel mesh covered perforated bronze standpipe.

PIPE SIZE (Lower Body)

2, 3, 4, 5, 6 [51, 76, 102, 127, 152]
 2, 3, 4, 5, 6 [51, 76, 102, 127, 152]
 2, 3, 4, 5, 6 [51, 76, 102, 127, 152]
 2, 3, 4 [51, 76, 102]

(Specify size/type) **OUTLET**

_____ IC Inside Caulk
 _____ IP Threaded
 _____ NH No-Hub
 _____ NL Neo-Loc

E BODY HT. DIM.

5-1/4 [133]
 3-3/4 [95]
 5-1/4 [133]
 4-5/8 [117]

OPTIONS (Check/specify appropriate options)

PREFIXES (Upper Body)

_____ Z D.C.C.I. Body w/ Top*
 _____ ZB D.C.C.I. Body w/ Polished Bronze Top (Add 3/16 [5] to 6-3/4 [172] Dim & 5/8 [16] to 12 [305] Dim.)
 _____ ZN D.C.C.I. Body w/ Polished Nickel Bronze Top (Add 3/16 [5] to 6-3/4 [172] Dim & 5/8 [16] to 12 [305] Dim.)

SUFFIXES (Upper Body)

_____ -AR Acid Resistant Epoxy Coated
 _____ -C Underdeck Clamp
 _____ -DG Duresist Grate (Z Only)
 _____ -DT Decorative Polished Top (ZB and ZN Only)
 _____ -E 2 [51] High Static Extension
 _____ -G Galvanized Cast Iron
 _____ -S Secondary Strainer
 _____ -SC Secondary Clamp Collar
 _____ -TC Neo-Loc Test Cap Gasket (2 [51], 3 [76], 4 [102] NL Bottom Outlet Only)
 _____ -TS Top Secured with Slotted Screws
 _____ -Y Sediment Bucket

SUFFIXES (Lower Body)

_____ -AR Acid Resistant Epoxy Coated Finish
 _____ -C Underdeck Clamp
 _____ -DB Deep Sump Body (IC Only)
 _____ -DP Top-Set® Roof Deck Plate (Replaces both the -C and -R)
 _____ -DR Top-Set® Drain Riser (Adjustment from 3-5/8 [92] to 7-1/4 [184])
 _____ -EB Top-Set® Adjustable Extension Assembly
 _____ -G Galvanized Cast Iron
 _____ -R Roof Sump Receiver
 _____ -XJ Vertical Expansion Joint (See Z190)
 _____ -90 90° Threaded Side Outlet Body (2, 3, 4 [51, 76, 102]) (Previously Z124)

* Regularly furnished unless otherwise specified.